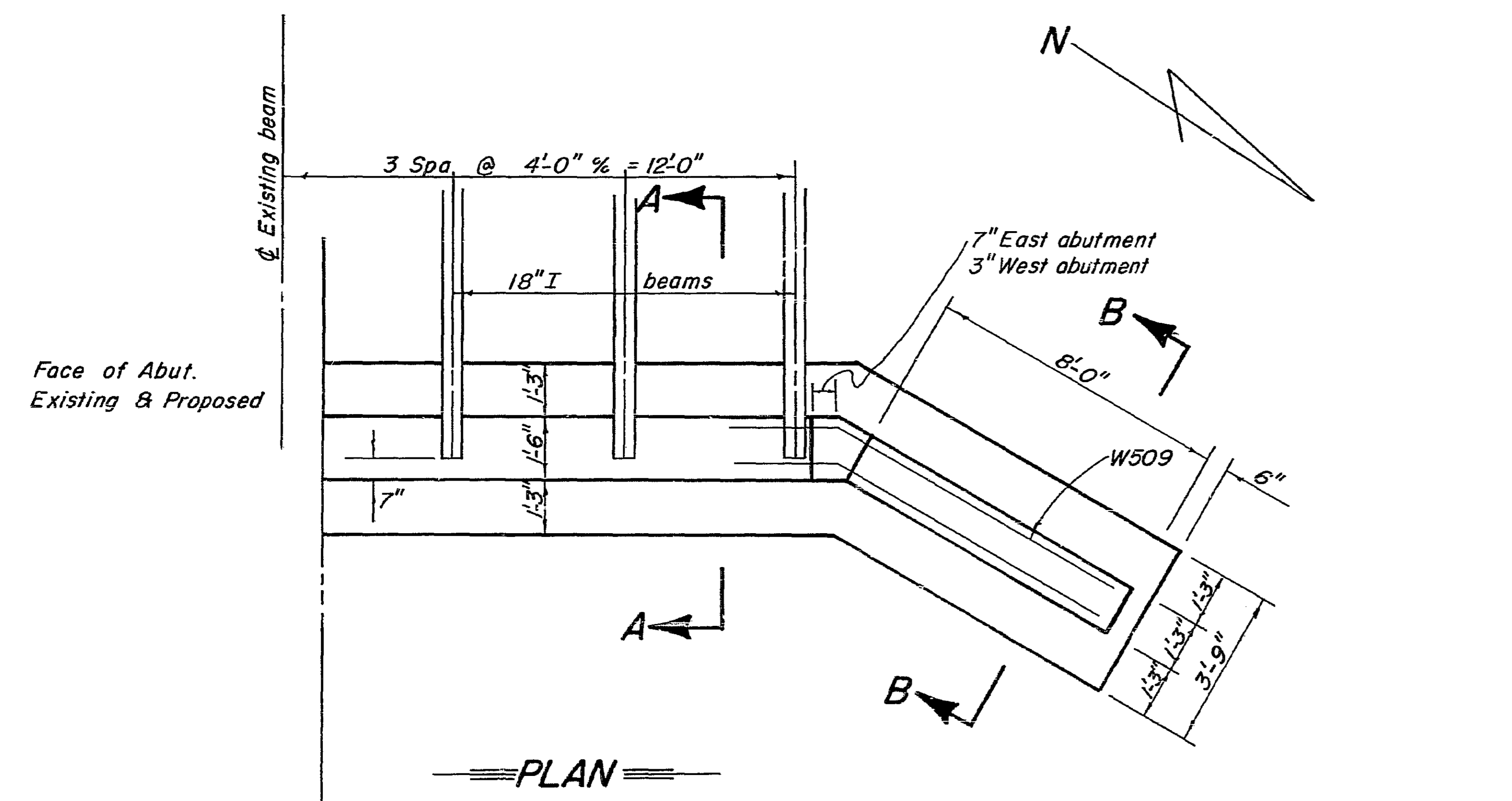
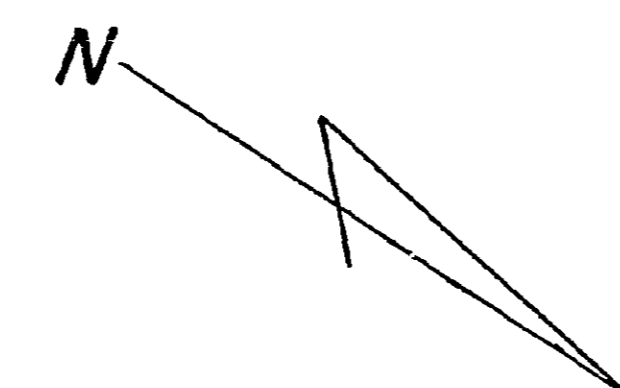
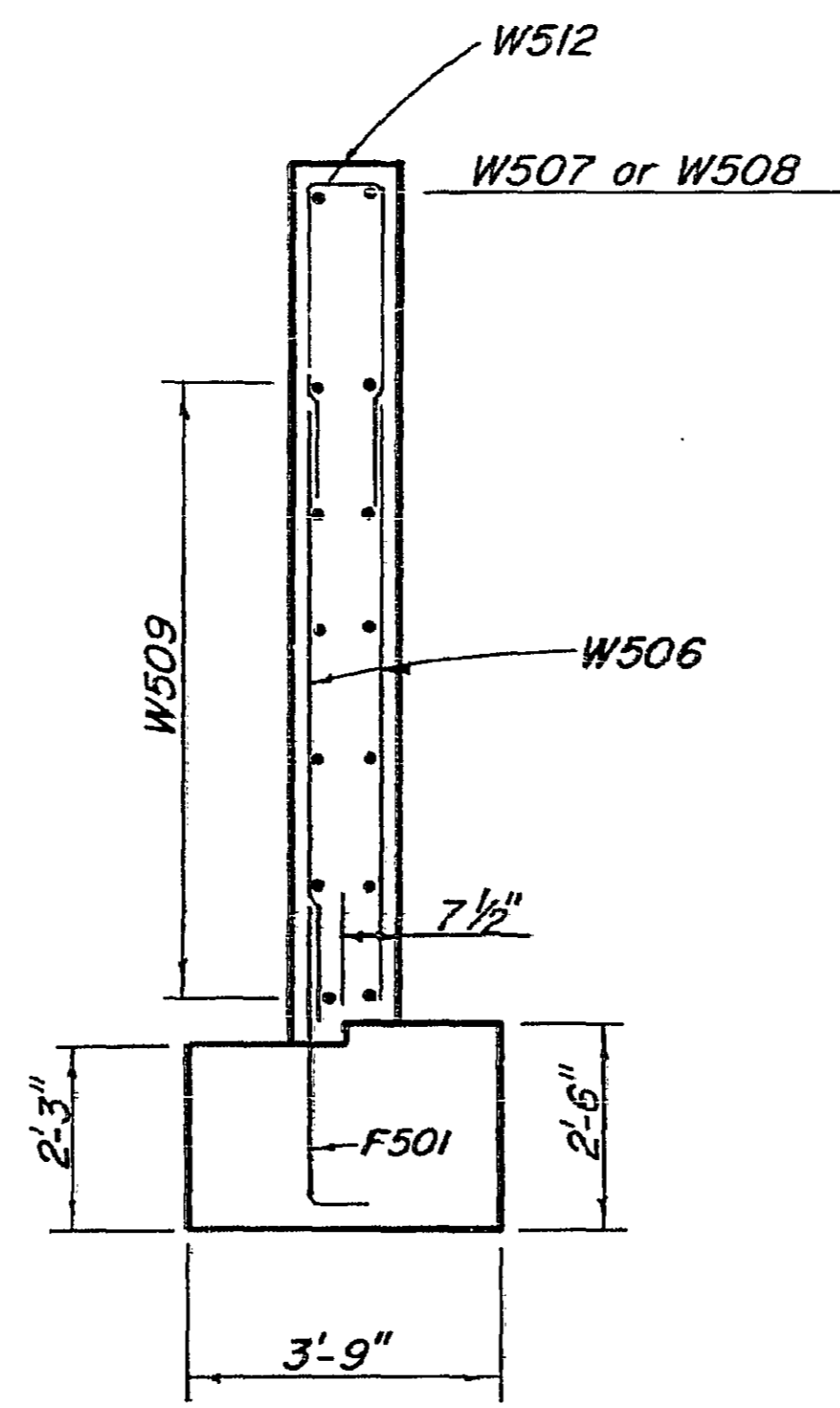


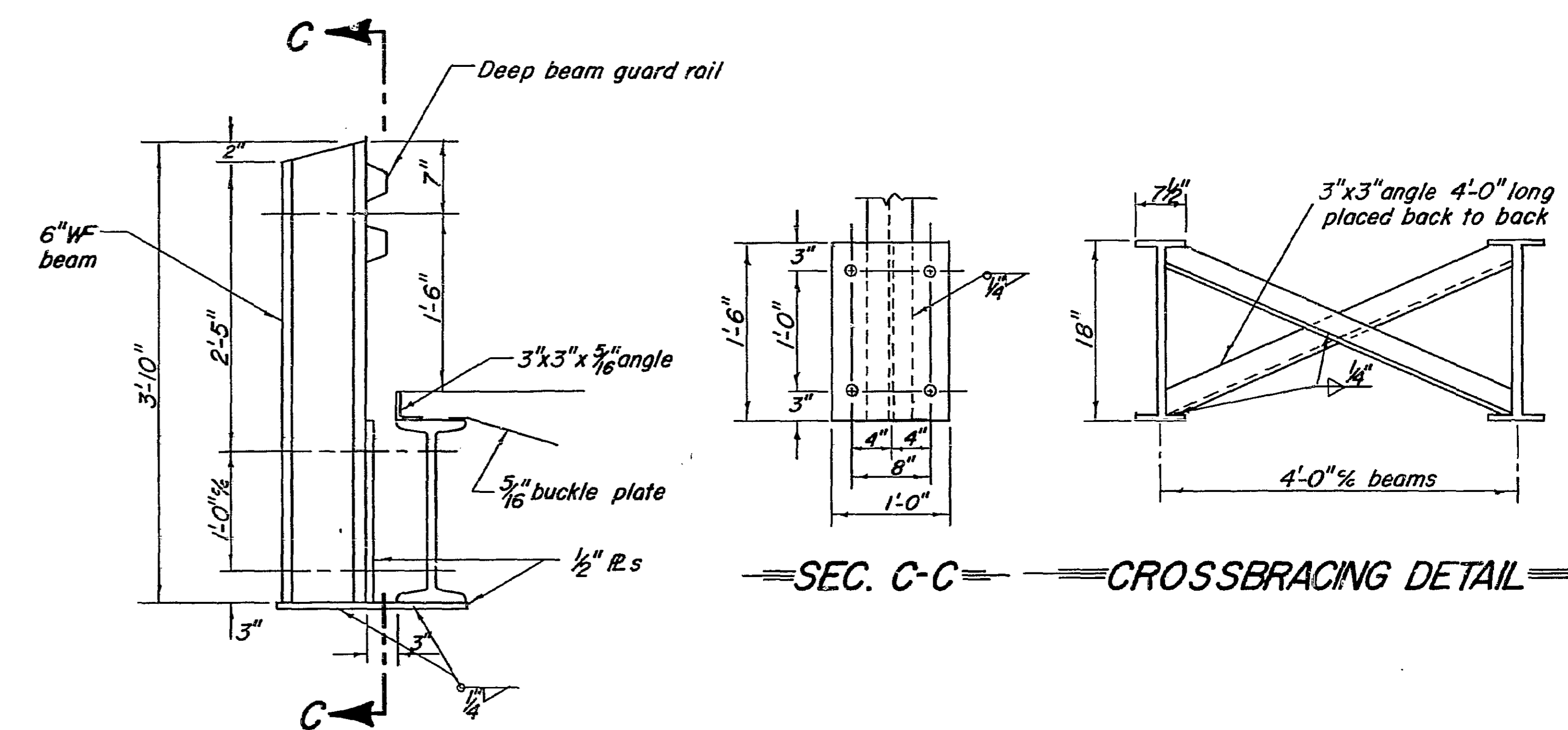
FRANKLIN COUNTY, OHIO				
OFFICE OF COUNTY ENGINEER				
BRIDGE EXTENSION				
BORROR ROAD				
BRIDGE NO.	JA. 266-3.84			
DESIGN LOADING	HS 20-44			
JACKSON TWP.	1974			
Designed	Drawn	Traced	Reviewed	Revised



PLAN

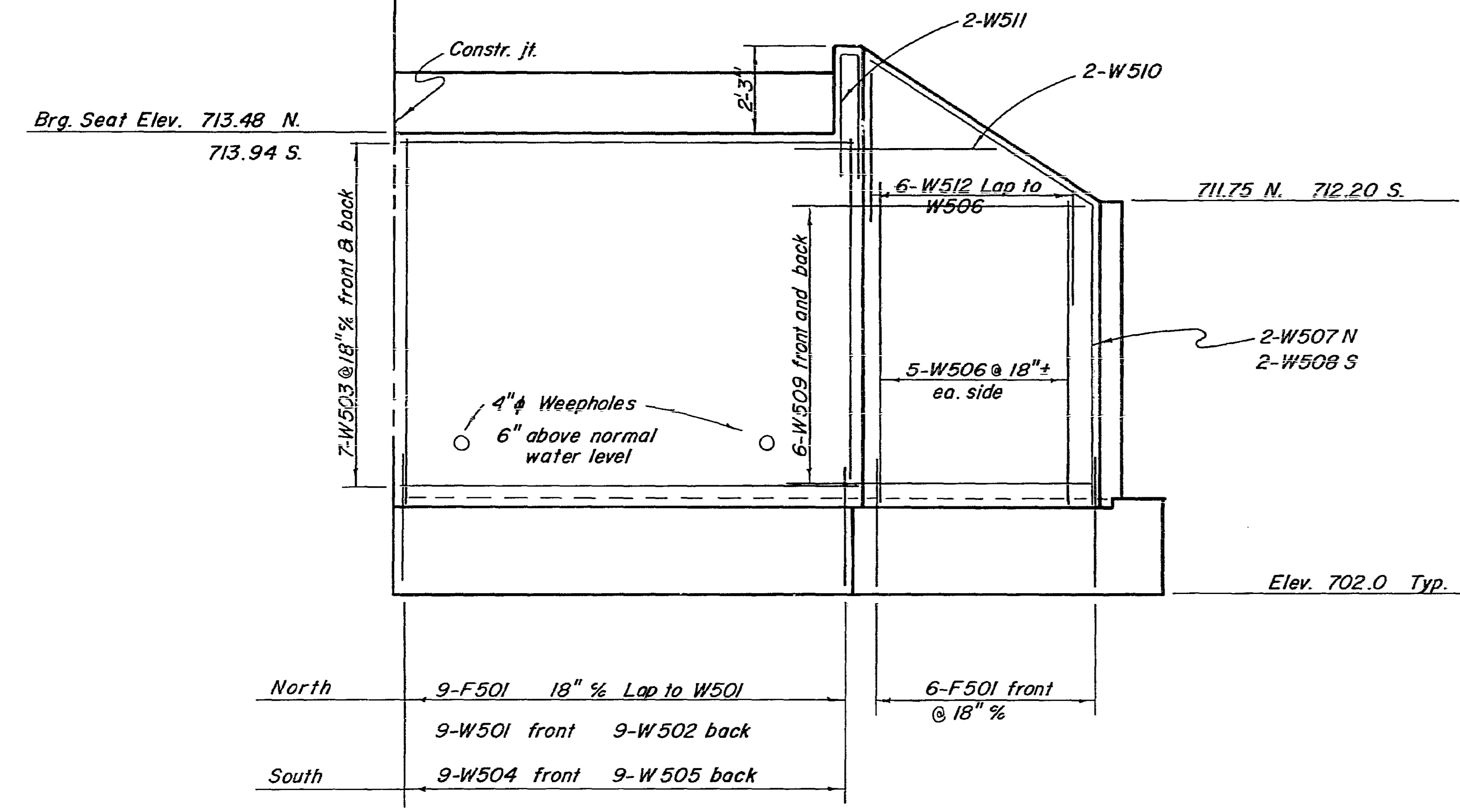


SECTION B-B



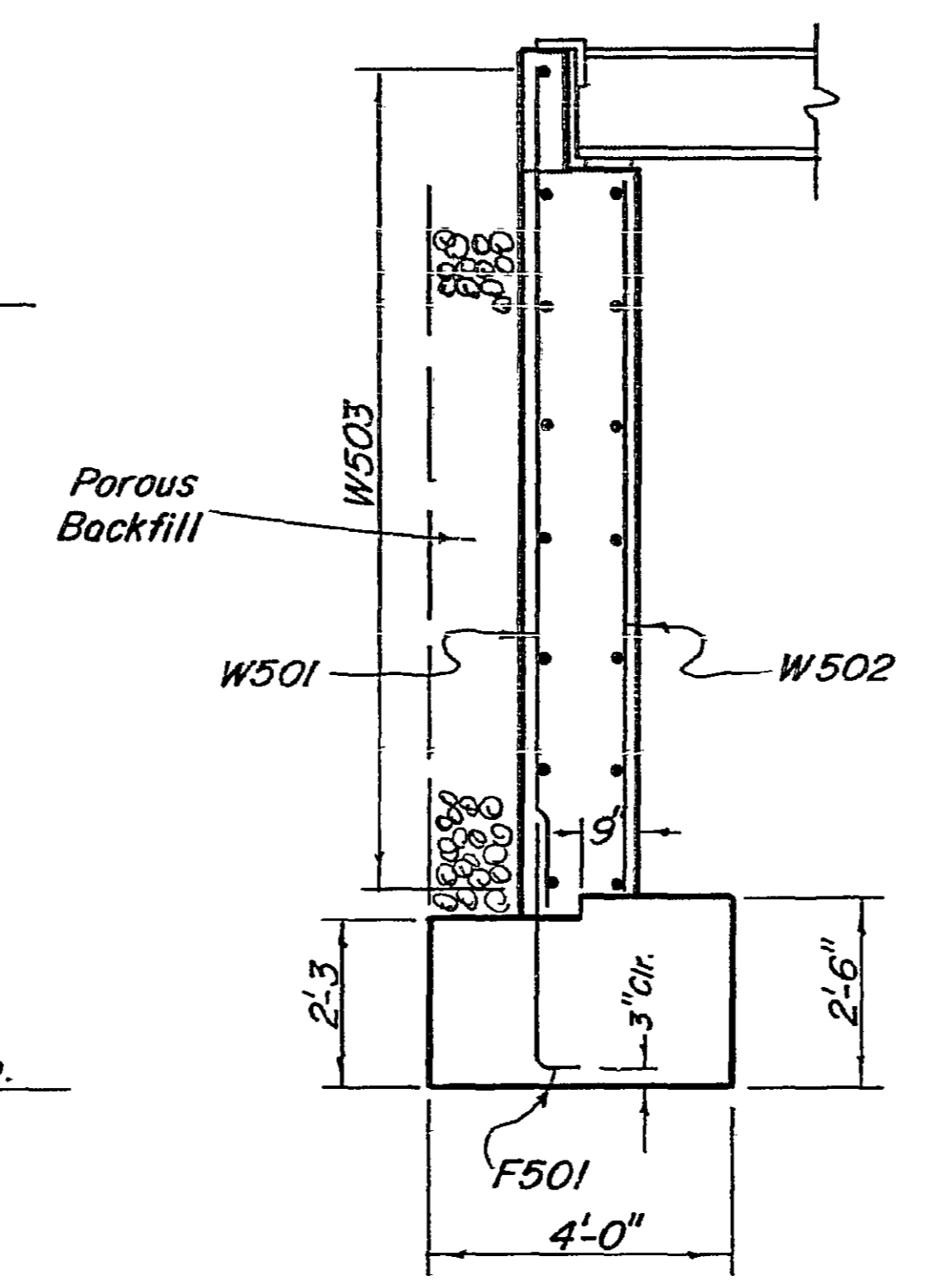
GUARD RAIL DETAIL

Guard rail post placed 6'-3" from face of abutment. Place one post @ bridge, 14'-0" from face of abutment.

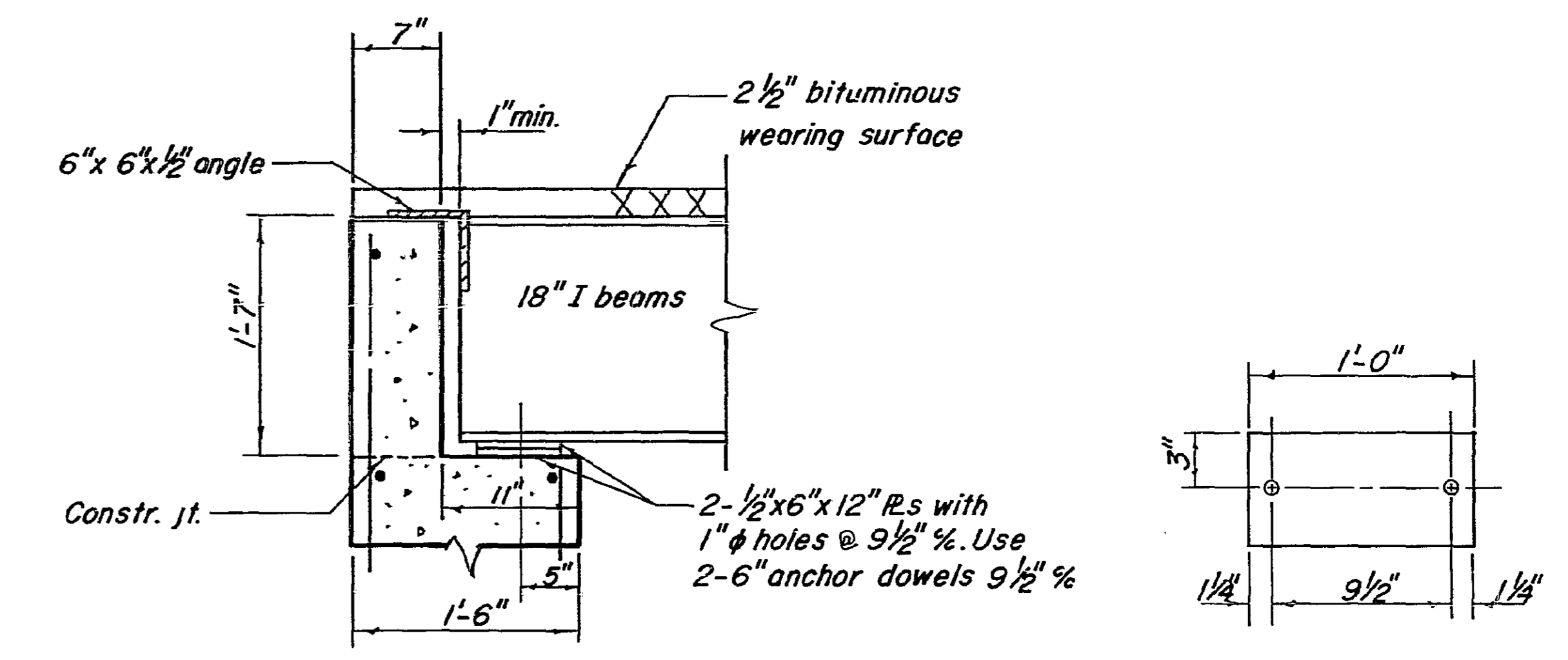


ELEVATION

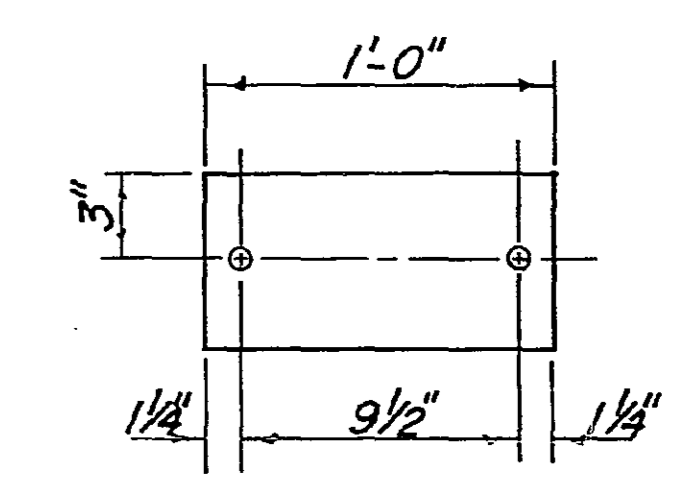
North and South Wall similar except otherwise shown



SECTION A-A



BEAM SEAT DETAIL



BEARING PLATE

FRANKLIN COUNTY, OHIO OFFICE OF COUNTY ENGINEER				
BRIDGE EXTENSION BORROR ROAD				
BRIDGE NO.	JA. 266-3.84			
DESIGN LOADING	HS20-44			
JACKSON TWP.	1974			
Designed	Drawn	Traced	Reviewed	Revised