

# 16.510 ACRE AND 10.826 ACRE LOT SPLITS

State of Ohio, County of Franklin, City of Columbus,  
Quarter Township 3, Township 1, Range 16  
United States Military District

## ZONING

Per City of Columbus zoning map:

16.510 Acre Tract:

- Zoning District: LARLD - Limited Apartment Residential
- Per Rezoning Application No. Z21-070
- ORD #3240-2021
- Height District - H-35

10.826 Acre Tract:

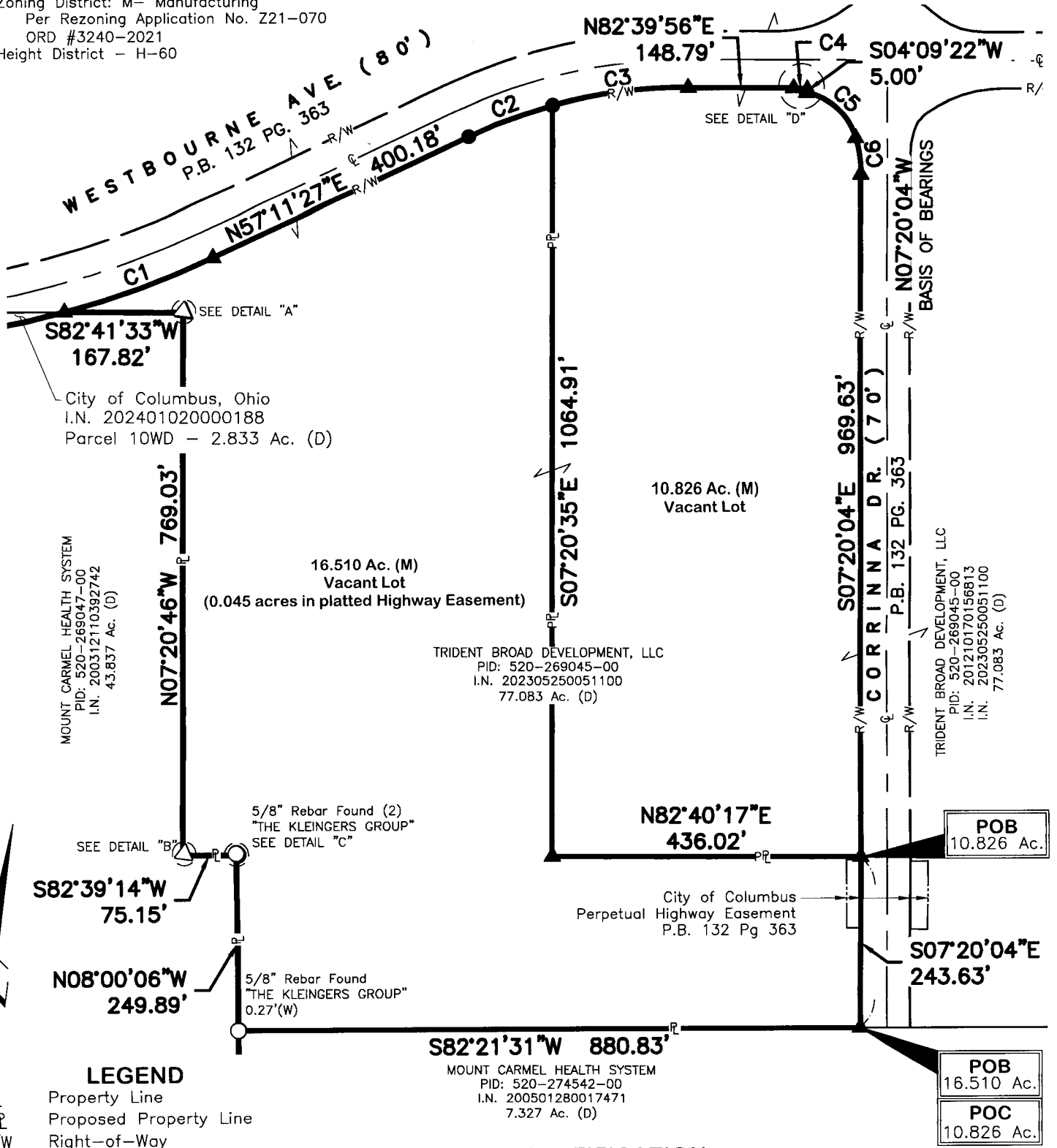
- Zoning District: M- Manufacturing
- Per Rezoning Application No. Z21-070
- ORD #3240-2021
- Height District - H-60

## FLOOD ZONE

By Graphic Plotting Only  
National Flood Insurance Program  
Flood Insurance Rate Map  
Zone Designation: X  
Map# 39049C0352K  
Map Revised June 17, 2008

## BASIS OF BEARINGS

Ohio State Plane Coordinate System,  
Ohio South Zone, NAD83 (2011,  
Epoch 2010.0) as determined by  
ODOT RTN observations, with the  
centerline of Corrina Drive bearing  
North 07°20'04" West.

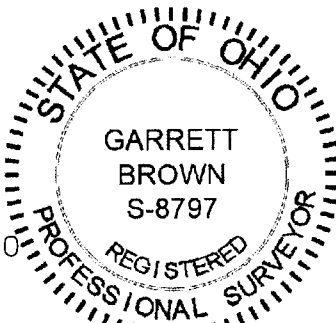


## CERTIFICATION

We hereby certify that the foregoing Boundary Survey was prepared from actual field measurements in accordance with Chapter 4733-37 Ohio Administrative Code.

Iron pins set are 5/8" rebar, 30" in length with a yellow plastic cap with "EP FERRIS SURVEYOR 8797" inscribed on top unless otherwise noted. Mag Nails set are magnetic nails with a 1.5" diameter brass washer with "EP FERRIS SURVEYOR 8797" inscribed on top.

Field survey was conducted on 03-12-2024.  
All monuments found are in good condition unless otherwise noted.

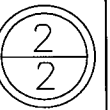


BY: *Garrett Brown* 8/28/2024  
Garrett G. Brown, P.S., E.I.  
Registered Surveyor No. 8797

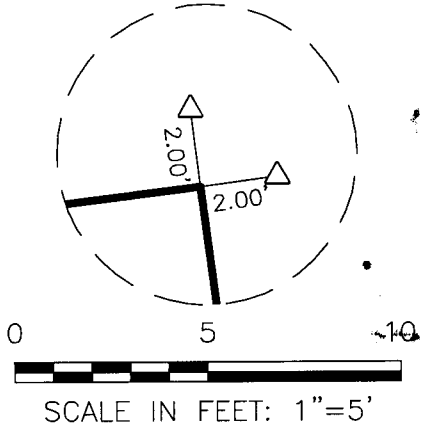
DRWN BY TKC CHK BY GGB DATE 2024-08-28

# 16.510 ACRE AND 10.826 ACRE LOT SPLITS

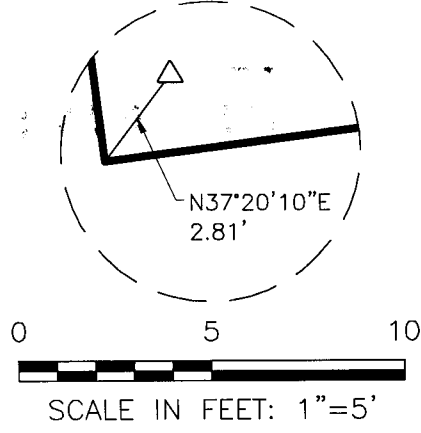
State of Ohio, County of Franklin, City of Columbus,  
 Quarter Township 3, Township 1, Range 16  
 United States Military District



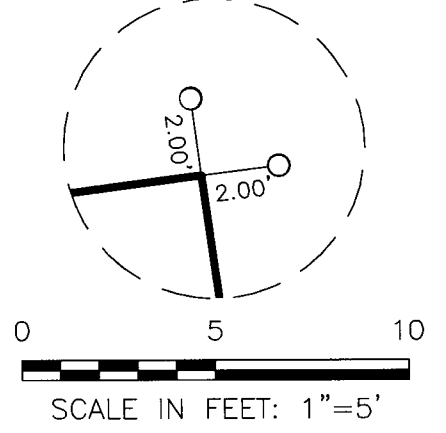
Detail "A"



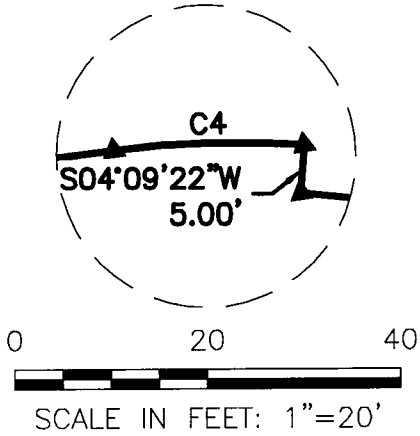
Detail "B"



Detail "C"



Detail "D"



## CURVE TABLE

CURVE #	DELTA	RADIUS	LENGTH	CHORD BEARING	CHORD LENGTH
C1	010°19'29"	1246.23'	224.57'	N62°21'12"E	224.27'
C2	010°04'15"	723.94'	127.25'	N62°13'34"E	127.08'
C3	015°24'14"	723.94'	194.63'	N74°57'49"E	194.04'
C4	011°44'31"	96.50'	19.78'	N88°32'10"E	19.74'
C5	061°45'30"	91.50'	98.63'	S54°42'00"E	93.92'
C6	016°29'10"	179.00'	51.51'	S15°34'40"E	51.33'

**E. P. FERRIS**  
 AND  
**ASSOCIATES**  
 INC.

Consulting Civil Engineers and Surveyors

2130 QUARRY TRAILS DR,  
 2ND FLOOR  
 COLUMBUS, OHIO 43228  
 (614) 299-2999  
 (614) 299-2992 (Fax)  
 www.EPFERRIS.com

DRWN BY TKC CHK BY GGB

DATE 2024-08-28

1252.001