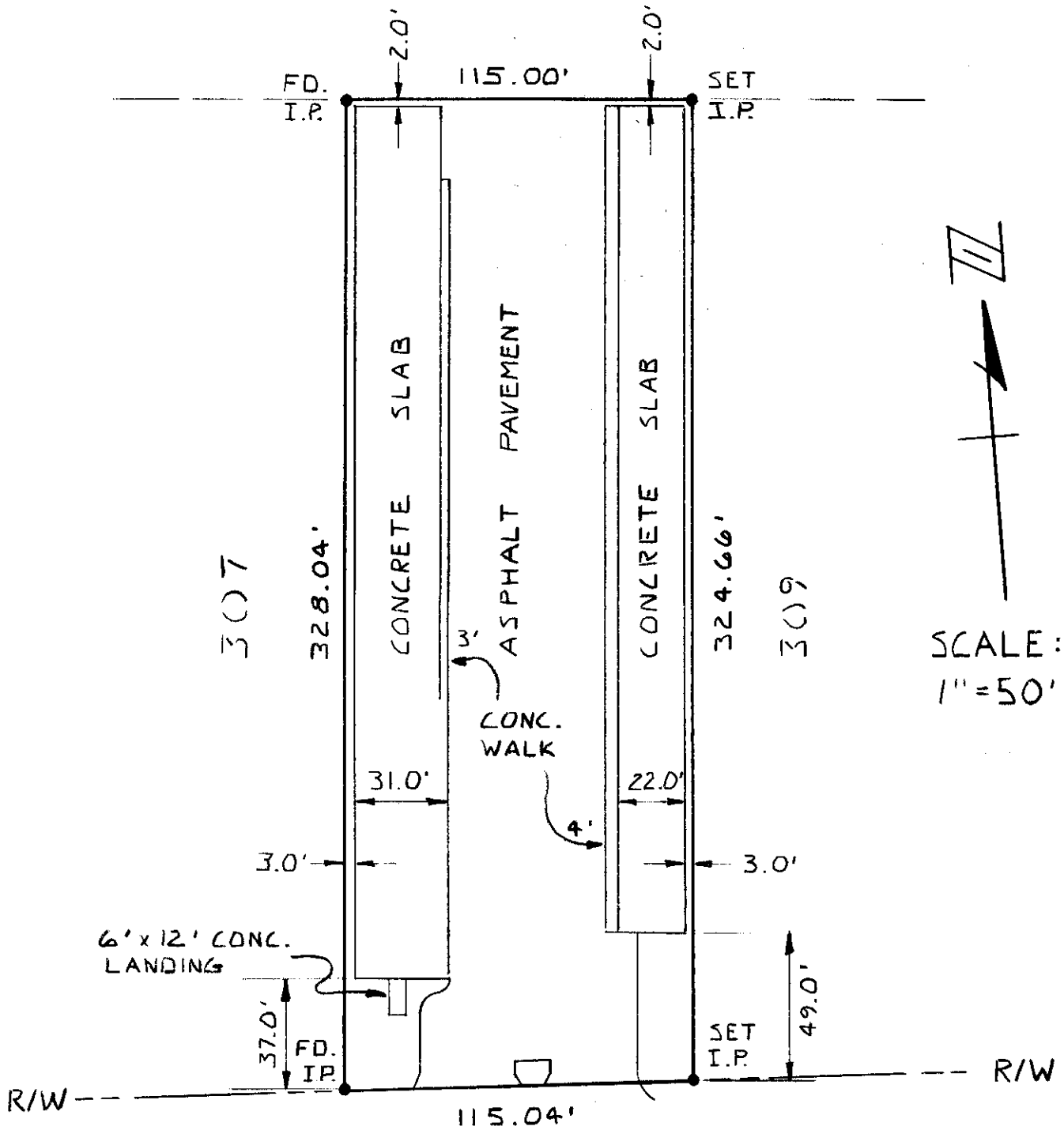


SURVEY OF

LOT 308 IN LOWRIE BROS. E. BROAD ST. ALRE ALLOTMENT

PLAT BOOK 8 PAGE 18

FOR JIM JOHNSON



EAST MAIN STREET 80'

NOT REVIEWED

THIS DRAWING WAS PREPARED FROM AN ACTUAL FIELD SURVEY MADE BY PAUL K. MOORE & ASSOCIATES ON MAY 27, 1986, AND REPRESENTS THE PREMISES SHOWN HEREON.

*Paul K. Moore*

PAUL K. MOORE, REGISTERED SURVEYOR NO. 5883

