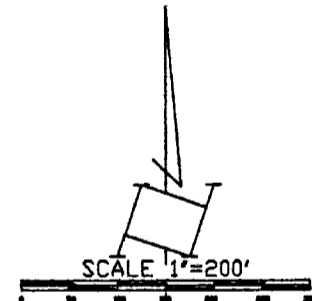
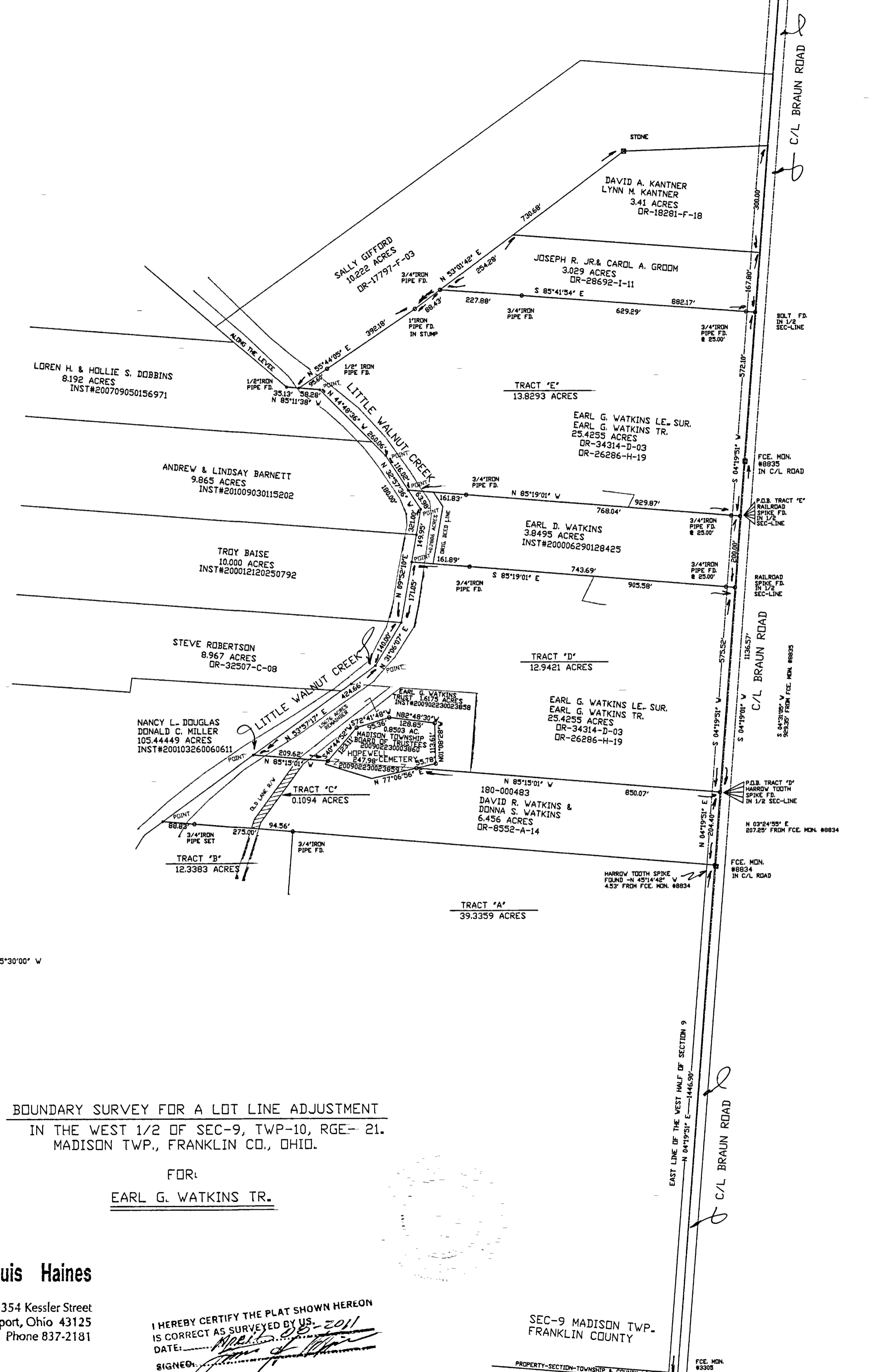


RECEIVED

26 2011

Franklin County Engineer
John C. Ringle, P.E., P.S.



BASIS OF BEARINGS:
THE SOUTH LINE OF SECTION 9, AS N 85°30'00" W
FROM DR-26286-H-19.

PRIOR DEED REFERENCE:
EARL G. WATKINS TRUST
DR-26286-H-19 25.4255 ACRES
INST#200902230023858 1.6175 ACRES

BOUNDARY SURVEY FOR A LOT LINE ADJUSTMENT
IN THE WEST 1/2 OF SEC-9, TWP-10, RGE- 21.
MADISON TWP., FRANKLIN CO., OHIO.

FOR:
EARL G. WATKINS TR.



Louis Haines

354 Kessler Street
Groveport, Ohio 43125
Phone 837-2181

I HEREBY CERTIFY THE PLAT SHOWN HEREON
IS CORRECT AS SURVEYED BY US.
DATE: NOV 25 2011
SIGNED: [Signature]

SEC-9 MADISON TWP.
FRANKLIN COUNTY

PROPERTY-SECTION-TOWNSHIP & COUNTY LINE

LONDON-LANCASTER ROAD
SEC-16 MADISON TWP.
PICKAWAY COUNTY

ALL DEED, SURVEY, PLAN AND OTHER INFORMATION NOTED HEREON IS AVAILABLE FROM THE COUNTY AND STATE IN WHICH THIS SURVEY WAS PERFORMED.
ALL 3/4" IRON PIPE SET ARE 3/4" GALVANIZED IRON PIPE CUT TO 30' LENGTHS WITH AN ORANGE PLASTIC ID CAP INSCRIBED 'HAINES SURV.'