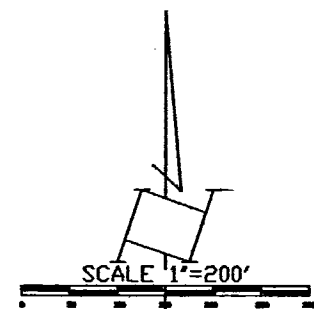


RECEIVED

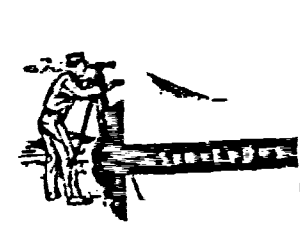
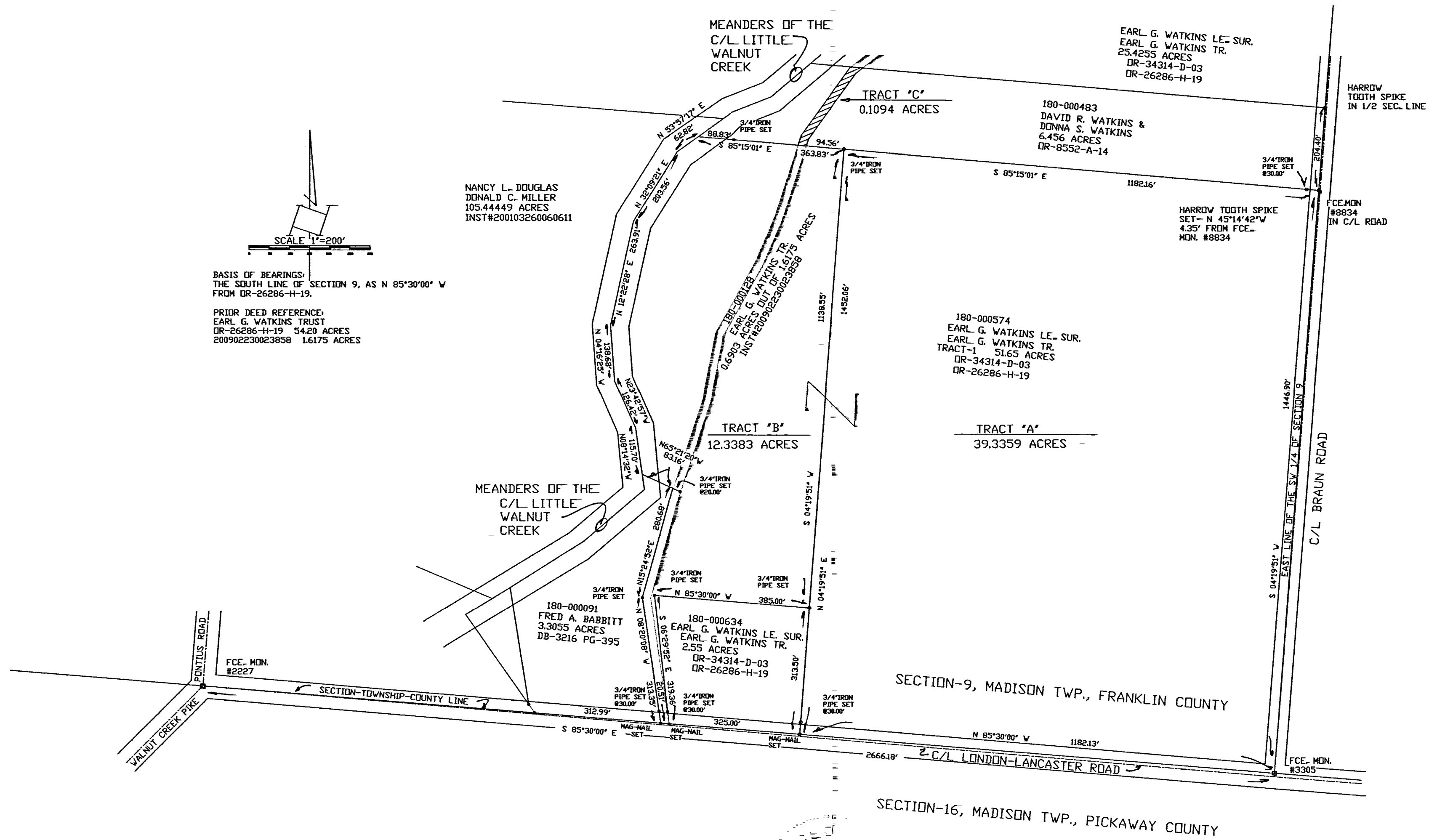
JUL 26 2011

Franklin County Engineer
Dean C. Ringle, P.E., P.S.



BASIS OF BEARINGS:
THE SOUTH LINE OF SECTION 9, AS N 85°30'00" W
FROM DR-26286-H-19.

PRIOR DEED REFERENCE:
EARL G. WATKINS TRUST
DR-26286-H-19 54.20 ACRES
200902230023858 1.6175 ACRES



Louis Haines
354 Kessler Street
Groveport, Ohio 43125
Phone 837-2181

I HEREBY CERTIFY THE PLAT SHOWN HEREON
IS CORRECT AS SURVEYED BY US.
DATE: April 28, 2011
SIGNED: [Signature]

BOUNDARY SURVEY FOR A LOT LINE ADJUSTMENT
IN THE SW 1/4 SEC-9, TWP-10, RGE- 21,
MADISON TWP., FRANKLIN CO., OHIO.

FOR:
EARL G. WATKINS TR.

ALL DEED, SURVEY, PLAN AND OTHER INFORMATION NOTED HEREON IS AVAILABLE FROM THE COUNTY AND STATE IN WHICH THIS SURVEY WAS PERFORMED.
ALL 3/4" IRON PIPE SET ARE 3/4" GALVANIZED IRON PIPE CUT TO 30" LENGTHS WITH AN ORANGE PLASTIC ID CAP INSCRIBED "HAINES SURV."