

37

38

39

40

13

AMENDED
RIDGEVIEW PLACE
BB.22 Pg. 70
25

TREMONT ROAD (60')

RIDGEVIEW ROAD (50')
S 85°30'00" E

241.54'

Asphalt Pavement

Curb

31'

370.29'

Buried electrical cable

10' Conc. Walk

10' Storm Sewer
6" San Sewer

8' C.W.

4" Gas line

Gas Meter

5' C.W.

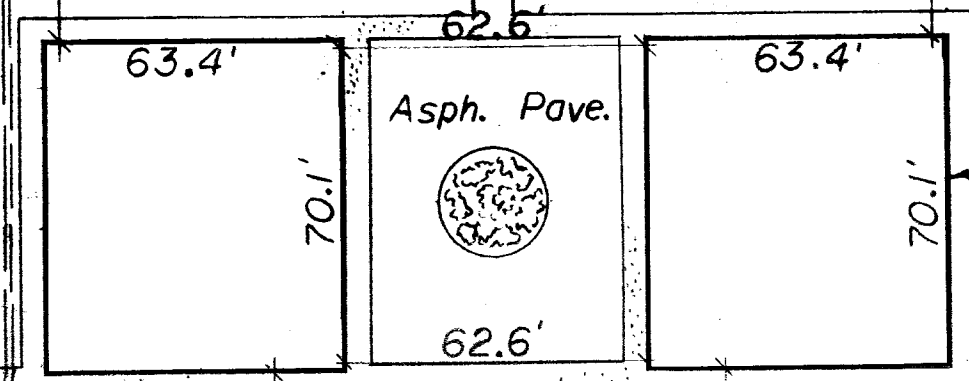
0.3177 Ac

N 36°54'34" E
N 42°07'37" W

N 85°32'46" W
29.22'

N 4°29'23" E
83.53'

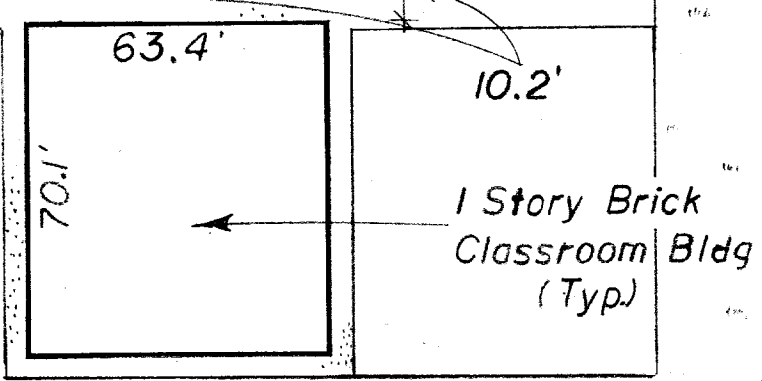
Asphalt Pavement



Parking Lot

2.2608 Ac.

5' C.W.



1 Story Brick
Classroom Bldg
(Typ)

276.31'

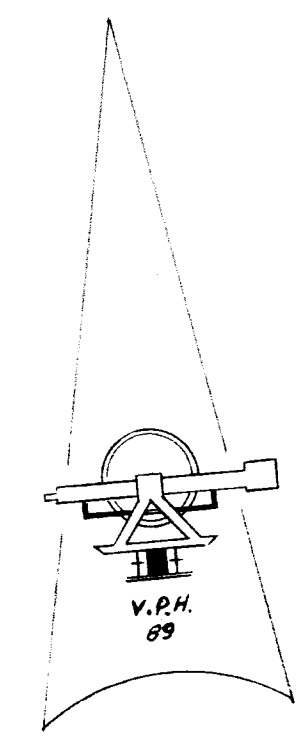
S 5°05'38" W

338.07'

N 84°40'37" W

Grass Area

Buried electrical cable



Plat showing a 2.2608 and 0.3177 acre Boundary and
As Build-Survey (total 2.5785 Ac.) out of a 17.8533 acre
tract as shown of record in Vol. 1559, Pg.322, Recorder's
Office, Franklin County, Ohio.

Scale: 1"=40'

September 20,
1989

REVISED FEB. 28, 1990

For: UPPER ARLINGTON SCHOOLS

Harry L. Greene
Harry L. Greene Registered Surveyor No. 4058