

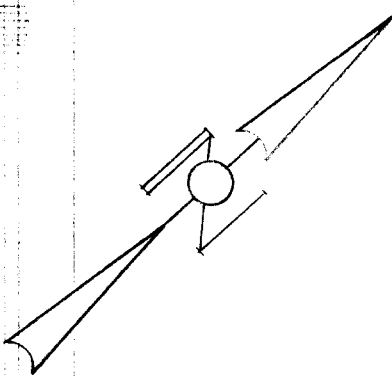
Central Railroad Co.
York
The New

Bessire & Company, Inc.
property line as per field
survey, by others, and
occupancy as of March 11,
1968

Bessire & Company, Inc.
property line as per deed
D.B. 2774, page 301

Bessire & Company, Inc.
2.728 Ac.

March 11, 1968
Scale 1"=100'



Plat showing survey of
2.362 Acres for William F. Winemiller
and Robert M. Scott, and also showing
discrepancy of field survey and occupancy
line as compared to property line according
to deed of record in Deed Book 2774 page 301,
Recorder's Office, Franklin County, Ohio. Above
properties located in Franklin Township, Franklin
County, Ohio, Survey No. 530, Virginia Military Lands.

Harry L. Greene

Harry L. Greene, Reg. Surveyor No. 4058