


# AQUISITION OF RIGHT-OF-WAY

PART OF SURVEY NO. 1462, VIRGINIA MILITARY DISTRICT  
CITY OF COLUMBUS, FRANKLIN COUNTY, OHIO

**PERTINENT DOCUMENTS:** 1. DEEDS TO SUBJECT PROPERTY AND ADJACENT PROPERTIES AS SHOWN 2. SUBDIVISION PLATS AS SHOWN 3. SURVEYS, BY OTHERS, FOUND AT COUNTY ENGINEER'S OFFICE

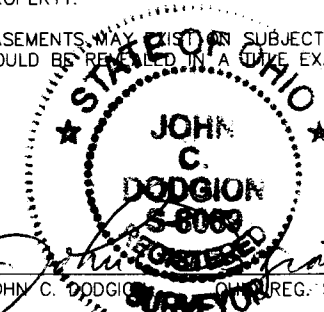
**BASIS OF BEARING:** BEARINGS ARE BASED ON N 01° 06' 00"E FOR THE WEST LINE OF THAT 16.715 ACRE TRACT AS SHOWN IN INSTRUMENT NUMBER 200505230098299.

 - R/W TO BE ACQUIRED  
0.268 ACRE

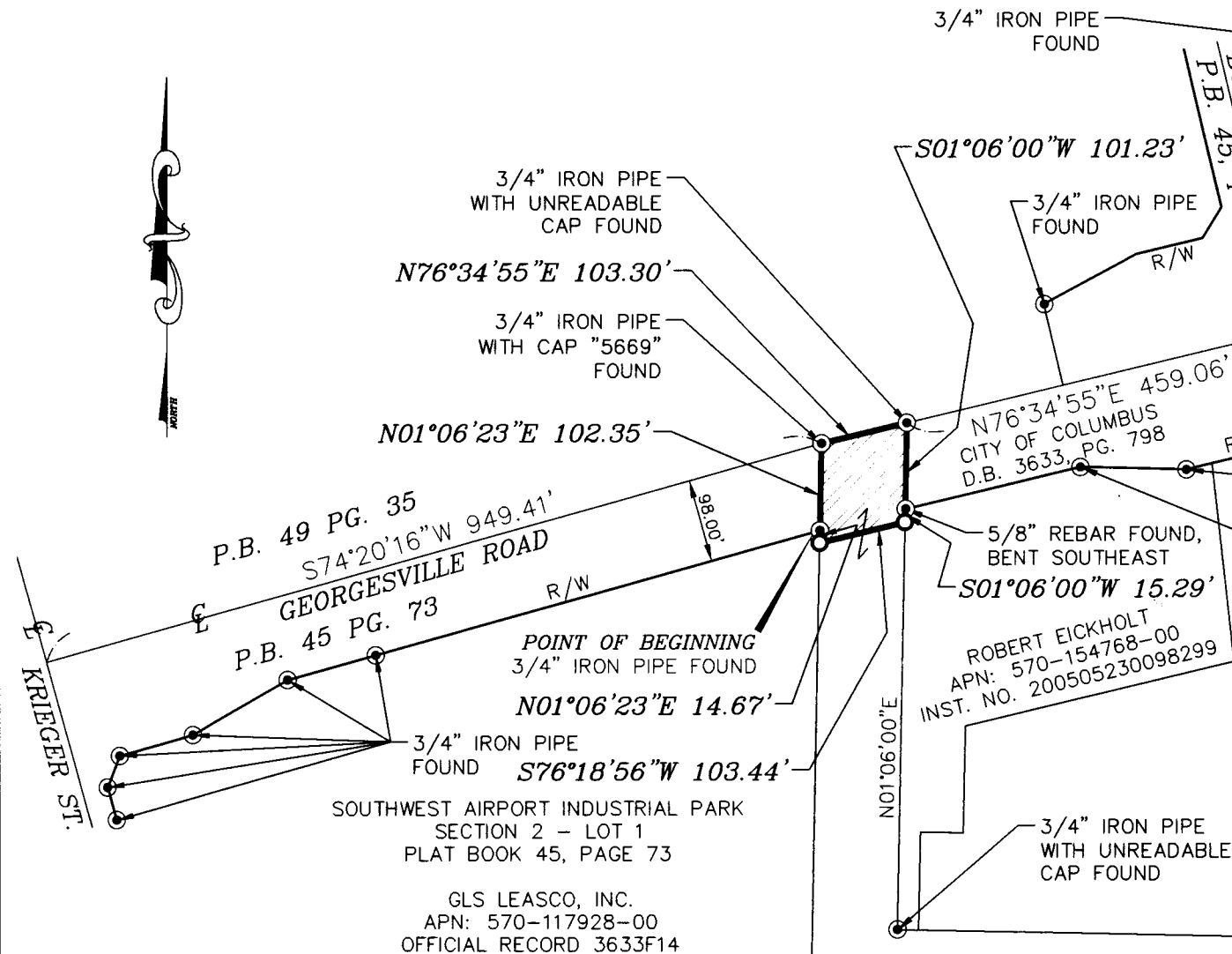
THIS PLAT WAS PREPARED BY SMART SERVICES, INC. AND IS A TRUE AND ACCURATE REPRESENTATION, TO THE BEST OF OUR KNOWLEDGE AND BELIEF, OF A SURVEY MADE BY SAME IN JUNE 2021.

THIS SURVEY WAS PERFORMED WITHOUT THE BENEFIT OF A TITLE POLICY; ALL OWNERSHIP SHOWN IS BASED UPON RECORD DATA ACQUIRED AT THE TIME OF SURVEY, NO GUARANTEE IS PLACED UPON ACTUAL OWNERSHIP OF ANY PROPERTY.

EASEMENTS MAY EXIST ON SUBJECT PROPERTY THAT WOULD BE REVEALED IN A TITLE EXAMINATION.

  
JOHN C. DODGION, OHIO REG. SURVEYOR NO. 8069

**RECEIVED**  
JUL 21 2021  
Franklin County Engineer  
Cornell R. Robertson, P.E., P.S.



- MONUMENT FOUND AS NOTED
- 5/8" x 30" REBAR W/YELLOW I.D. CAP LABELED "SMART SERVICES"

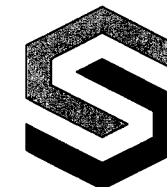
GRAPHIC SCALE



( IN FEET )  
1 inch = 200 ft.

CITY OF COLUMBUS, OHIO  
APN: 570-286266-00  
INST. NO. 200712310221202  
13.6672 ACRES

DRAWN BY: T. COLLINS	DATE: 07/14/2021
CHECKED BY: J. DODGION	DRAWING NO.: 807001-RW
JOB NO.: 807001	SHEET 1 OF 1



PREPARED BY:  
**SMART**  
SURVEYING • ENGINEERING • ENVIRONMENTAL  
SERVICES  
88 W. CHURCH STREET, NEWARK, OHIO 43055  
PHONE: (740) 345-4700 FAX: (740) 522-4706