

Lot Exhibit

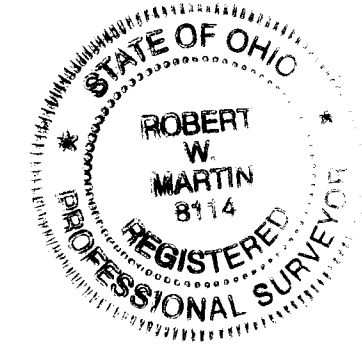
State of Ohio, County of Franklin,
City of Gahanna, Quarter Township 1,
Township 1, Range 17, United States Military Lands

RECEIVED

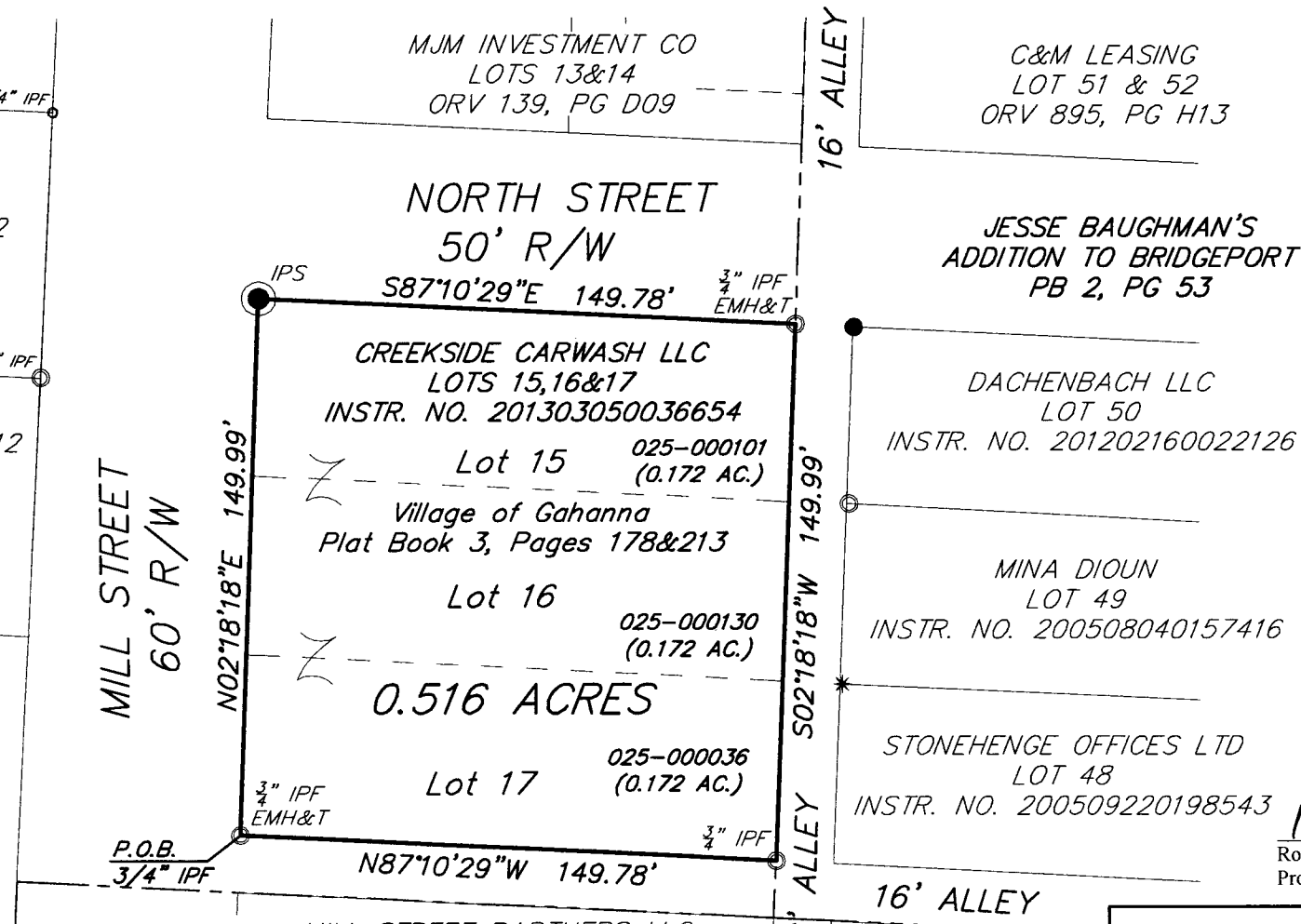
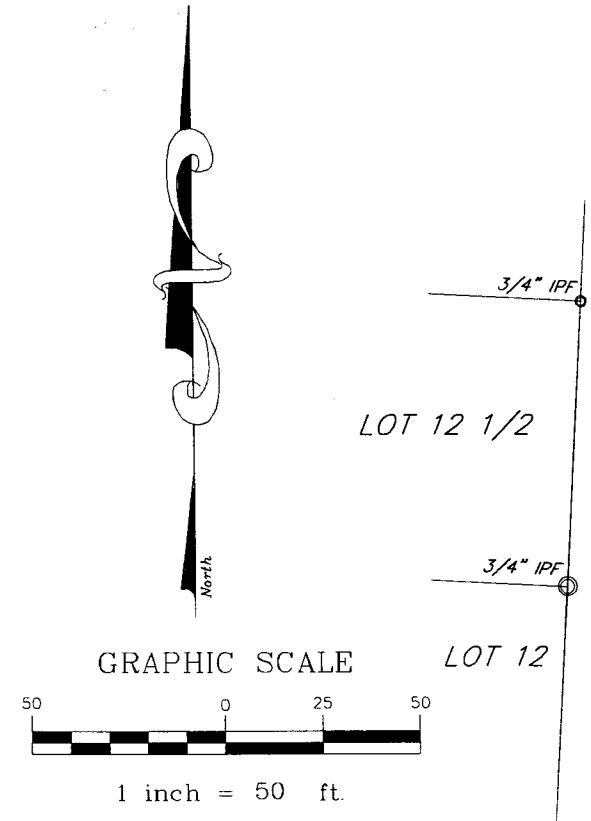
MAR 02 2016

Franklin County Engineer
Dean C. Ringle, P.E., P.S.

LEGEND	
●	IRON PIN SET (IPS)
●	SOLID BAR FOUND (SBF)
○	IRON PIN FOUND (IPF)



Robert W. Martin 3-2-16
Robert W. Martin
Professional Surveyor No. 8114



BASIS OF BEARINGS:
For the purpose of this exhibit a bearing of North 02°18'18" East was held on the east right of way of Mill Street and is based on the Ohio State Plane Coordinate System, South Zone NAD83 (2011 Adjustment). Said bearing was established by static and RTK GPS Observations, and was determined using National Geodetic Survey, OPUS-S service. All Iron pin's set are 30"x3/4" I.D. galvanized iron pipe with a cap inscribed P.S.8114.

PREPARED BY:

TAT WATCON

CONSULTING ENGINEERS & SURVEYORS
83 Shull Avenue
Gahanna, Ohio 43230
Ph. (614) 414-7979

DRAWN BY	RWM
CHECKED BY	
SCALE	1" = 50'
DATE	3/02/2016

2. CASTO GAHANNA (M) CASTO DPOD L.DWG. - D. KRES. - PLOTTED BY BD - March 02, 2016 - 10:51 AM