

PROJ. NO. 13.517  
 DRAWN BY: MJW  
 CHECKED BY: BPB  
 DATE: 5/27/2015

**AMERICAN STRUCTUREPOINT INC.**  
 2550 CORPORATE EXCHANGE DR, STE 300  
 COLUMBUS, OH 43231  
 TEL 614.901.2235 FAX 614.901.2236  
 www.structurepoint.com

**EXHIBIT "B"**  
 13-P-1  
**0.078 AC. PATH EASEMENT  
 ACQUIRED FROM  
 WOODLANDS AT BALLANTRAE  
 CONDOMINIUM ASSOCIATION**

SITUATED IN THE STATE OF OHIO, COUNTY OF FRANKLIN  
 CITY OF DUBLIN, LOCATED IN VIRGINIA MILITARY SURVEY NUMBER 6953

CONTINUED ON SHEET 2

0.078 AC.  
 PATH EASEMENT

**RECEIVED**

OCT 22 2015

Franklin County Engineer  
 Dean C. Ringle, P.E., P.S.

PID: 274-000330  
 JAY W. LIGGETT, TRUSTEE  
 I.N. 200101260016924  
 2.521 AC.

WOODLANDS AT  
 BALLANTRAE CONDOMINIUM  
 TWELFTH AMENDMENT  
 I.N. 201410010129320  
 C.P.B. 241, PG 43

M/T HOMES OF CENTRAL OHIO, LLC  
 PID: 274-001616  
 RESERVE "F"  
 I.N. 20141009133863

THE LINKS AT BALLANTRAE  
 SECTION 1  
 P.B. 117, PG. 31

CITY OF DUBLIN  
 WASHINGTON TWP.

PID: 272-000161  
 BRYAN D. SCOOT AND  
 MARGARET F. SCOTT  
 I.N. 2012020015290

CRAMER'S FRIST ADDITION  
 P.B. 10, PG. 98

LOT 10  
 LOT 12

P.K.F.

POINT OF BEGINNING

N 47° 51' 09" W 1384.66'  
 S 47° 51' 09" E 402.14'

9.49'  
 S 77° 10' 05" E  
 I.P.S.  
 8.56'  
 S 06° 32' 59" E

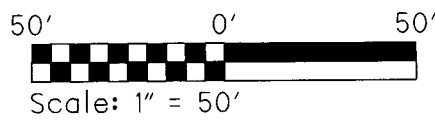
Ex R/W  
 CHURCHMAN ROAD  
 P.B. 117, PG 31  
 (70' R/W WIDTH)

RESERVE "E"

Ex R/W  
 CADMORE DRIVE  
 P.B. 117, PG 31  
 (50' R/W WIDTH)

Ex R/W

F.C.G.S. NO. 7747

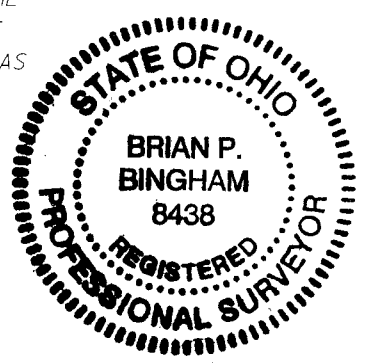


- M.N.S. MAG NAIL SET
- I.P.S. 5/8" IRON PIN SET WITH CAP "STRUCTUREPOINT-PS 8438"
- P.K.F. PK NAIL FOUND
- ⊙ P.F. IRON PIPE FOUND
- ⊕ FRANKLIN COUNTY GEODETIC SURVEY MONUMENT

**BASIS OF BEARING:**  
 THE BEARINGS SHOWN HEREON ARE BASED ON THE BEARING OF N 83° 49' 54" E FOR THE CENTERLINE OF RINGS ROAD, AS REFERENCED TO THE OHIO STATE PLANE COORDINATE SYSTEM (SOUTH ZONE) AND THE NORTH AMERICAN DATUM OF 1983 (2007 ADJUSTMENT) AS ESTABLISHED UTILIZING A GPS SURVEY ORIGINATING ON FRANKLIN COUNTY ENGINEER'S OFFICE PUBLISHED MONUMENTS "0049" AND "7747".

I HEREBY CERTIFY THAT:  
 THIS DRAWING REPRESENTS THE RESULTS OF AN ACTUAL FIELD SURVEY OF THE PREMISES PERFORMED BY AMERICAN STRUCTUREPOINT, INC., AND IS TRUE AND CORRECT TO THE BEST OF MY KNOWLEDGE AND BELIEF.

*Brian P. Bingham*  
 BRIAN P. BINGHAM, P.S. NO. 8438  
 AMERICAN STRUCTUREPOINT, INC. DATE 10/20/2015



PROJ. NO. 13.517  
 DRAWN BY: MJW  
 CHECKED BY: BPB  
 DATE: 5/27/2015



AMERICAN  
**STRUCTUREPOINT**  
 INC

2550 CORPORATE EXCHANGE DR, STE 300  
 COLUMBUS, OH 43231  
 TEL 614.901.2235 FAX 614.901.2236  
 www.structurepoint.com

**EXHIBIT "B"**

13-P-1  
**0.078 AC. PATH EASEMENT  
 ACQUIRED FROM  
 WOODLANDS AT BALLANTRAE  
 CONDOMINIUM ASSOCIATION**

SITUATED IN THE STATE OF OHIO, COUNTY OF FRANKLIN  
 CITY OF DUBLIN, LOCATED IN VIRGINIA MILITARY SURVEY NUMBER 6953

PID: 274-000342  
 EDWARDS GOLF COMMUNITIES, LLC  
 I.N. 200009290198680  
 25.681 AC. (ORIGINAL)

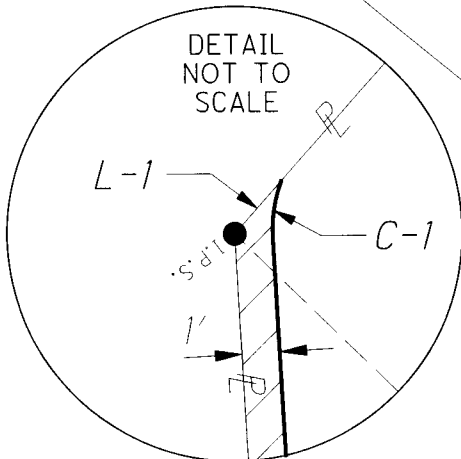
**RECEIVED**

OCT 22 2015

**Franklin County Engineer  
 Dean C. Ringle, P.E., P.S.**

PID: 274-000305  
 29.834 AC.

WOODLANDS AT  
 BALLANTRAE CONDOMINIUM  
 INST. NO. 200512150264139  
 THIRD AMENDMENT  
 INST. NO. 200612060242684  
 C.P.B. 179, PG. 81  
 FOURTH AMENDMENT  
 INST. NO. 200712030207646  
 C.P.B. 196, PG. 59  
 FIFTH AMENDMENT  
 INST. NO. 200805230079383  
 C.P.B. 203, PG. 92



L-1 3.24'  
 N 02° 49' 40" W

R=16.00'  
 $\Delta=23^\circ 11' 39''$

C-1 L=6.48'  
 CHD=6.43'  
 BRG=S 36° 15' 20" E

PID: 274-000330  
 JAY W. LIGGETT, TRUSTEE  
 I.N. 200101260016924  
 2.521 AC.

NINTH AMENDMENT  
 INST. NO. 201205080064421  
 C.P.B. 226, PG. 35  
 TENTH AMENDMENT  
 INST. NO. 201308010129891  
 C.P.B. 233, PG. 79

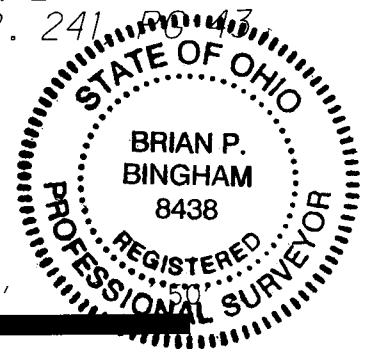
ELEVENTH AMENDMENT  
 INST. NO. 201404010039241  
 C.P.B. 238, PG 92  
 TWELFTH AMENDMENT  
 INST. NO. 201410010129320  
 CP.B. 241, PG 47

CONTINUED FROM SHEET 1

● M.N.S.	MAG NAIL SET
● I.P.S.	5/8" IRON PIN SET WITH CAP "STRUCTUREPOINT-PS 8438"
○ I.P.F.	IRON PIN FOUND
⊙ P.F.	IRON PIPE FOUND
⊕	FRANKLIN COUNTY GEODETIC SURVEY MONUMENT



50' 0'  
  
 Scale: 1" = 50'



**BASIS OF BEARING:**

THE BEARINGS SHOWN HEREON ARE BASED ON THE BEARING OF N 83° 49' 54" E FOR THE CENTERLINE OF RINGS ROAD, AS REFERENCED TO THE OHIO STATE PLANE COORDINATE SYSTEM (SOUTH ZONE) AND THE NORTH AMERICAN DATUM OF 1983 (2007 ADJUSTMENT) AS ESTABLISHED UTILIZING A GPS SURVEY ORIGINATING ON FRANKLIN COUNTY ENGINEER'S OFFICE PUBLISHED MONUMENTS "0049" AND "7747".