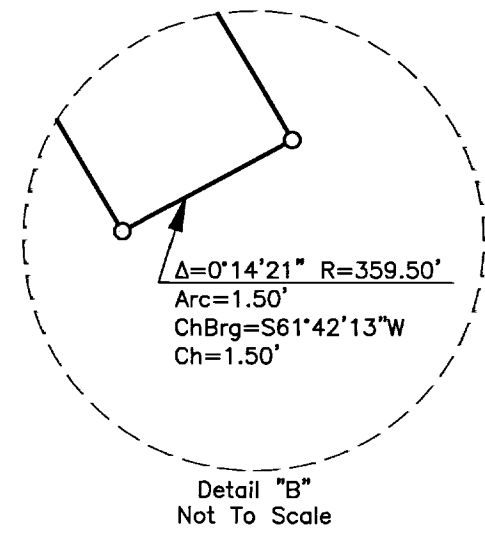
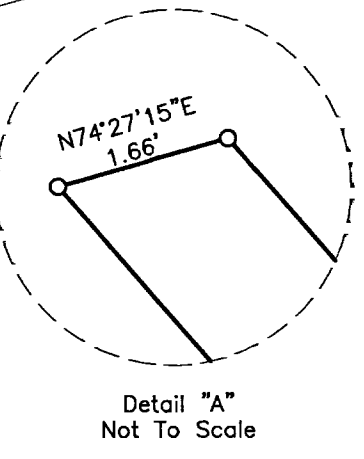
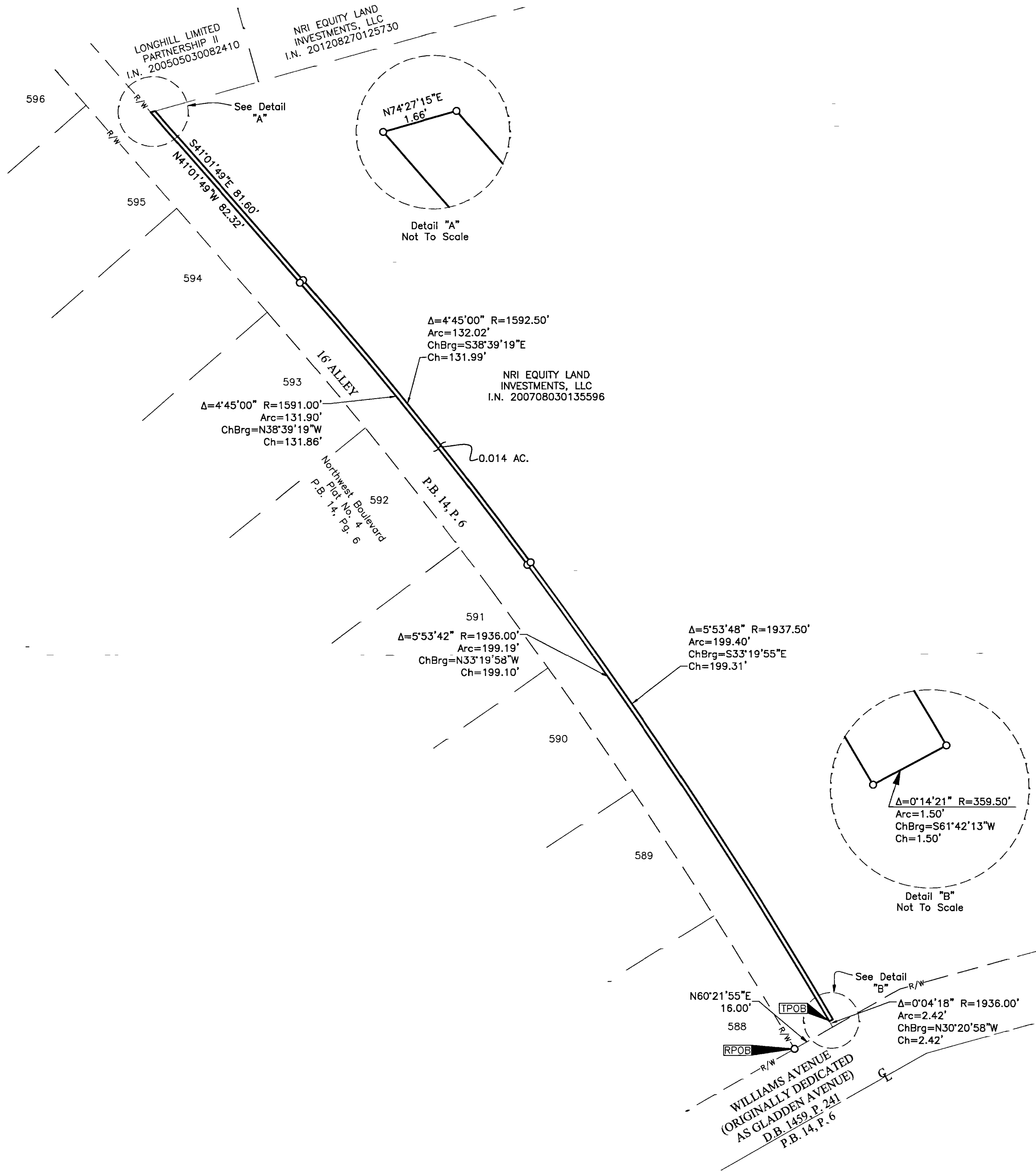


SURVEY OF ACREAGE PARCEL

SECTION 7, TOWNSHIP 5, RANGE 22

REFUGEE LANDS

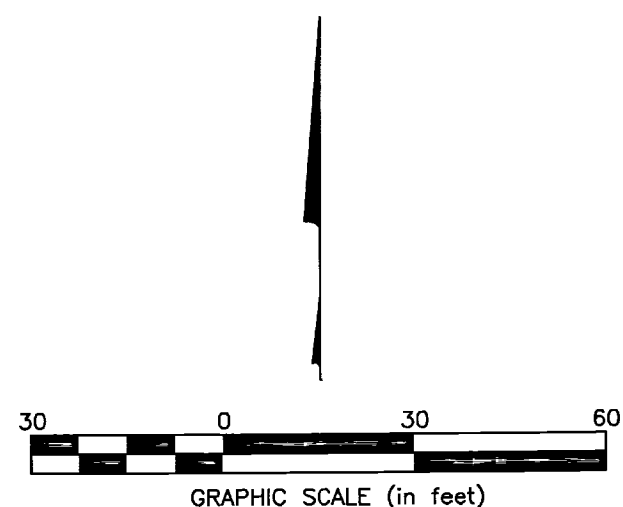
CITY OF GRANDVIEW HEIGHTS, COUNTY OF FRANKLIN, STATE OF OHIO



○ = I.P. SET
 I.P. Set are 13/16" I.D. iron pipe with cap inscribed EMHT INC

SURVEY NOTE:
 This survey was prepared using documents of record, prior plats of survey, and observed evidence located by an actual field survey.

BASIS OF BEARINGS:
 The bearings shown hereon are based on the Ohio State Plane Coordinate System, South Zone as per NAD83 (1986 adjustment). Control for the bearings was from coordinates of monuments 5-83 and 4-83, having a bearing of North 00° 22' 10" West, for a portion of the west limited access right-of-way of Olentangy River Road, established by the Franklin County Engineering Department using Global Positioning System procedures and equipment.



By Matthew A. Kirk 24 June 14
 Matthew A. Kirk Professional Surveyor No. 7865 Date

RECEIVED
 JUN 25 2014
 Franklin County Engineer
 Dean C. Ringle, P.E., P.S.

EMHT		Date: June 24, 2014
Evans, Mechwart, Hambleton & Tilton, Inc. Engineers • Surveyors • Planners • Scientists 5500 New Albany Road, Columbus, OH 43054 Phone: 614.775.4500 Toll Free: 888.775.3648 emht.com		Scale: 1" = 30
		Job No: 2014-0258
		Sheet: 1 of 1
REVISIONS		
MARK	DATE	DESCRIPTION

I:\2014\2014\UNITS\ASHEETS\BOUNDARY_20140225-15-INDY-TOWNSHIP.plotted by PITCHARD on 6/24/2014 10:53:08 AM
 I:\2014\2014\UNITS\ASHEETS\BOUNDARY_20140225-15-INDY-TOWNSHIP.plotted by PITCHARD on 6/24/2014 10:53:08 AM