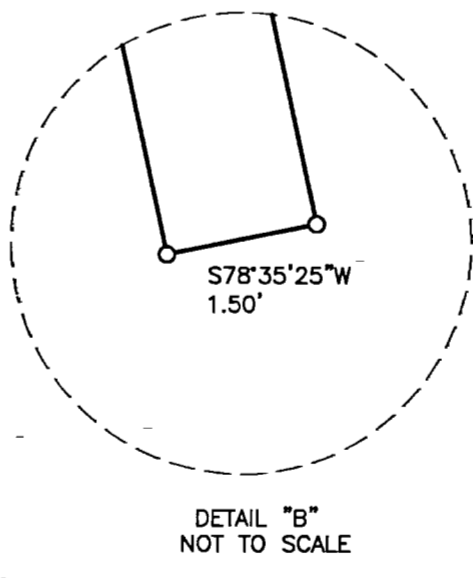
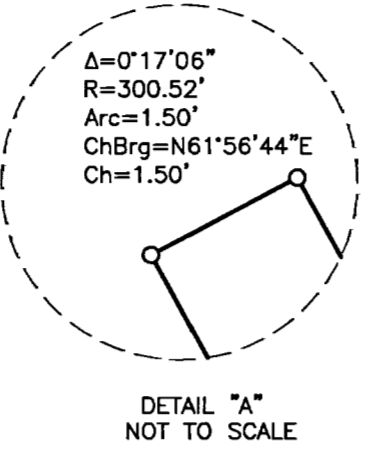
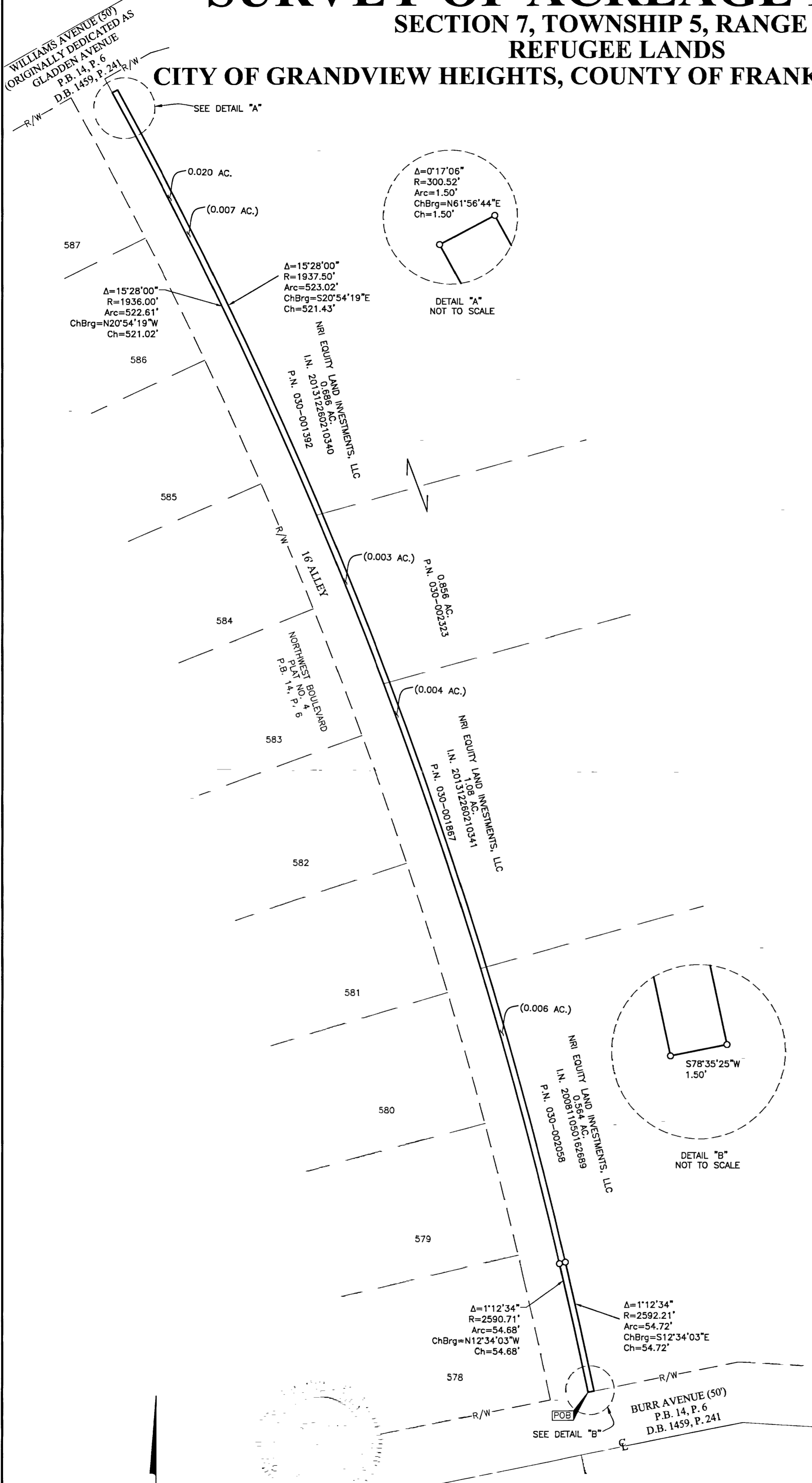


SURVEY OF ACREAGE PARCEL

SECTION 7, TOWNSHIP 5, RANGE 22

REFUGEE LANDS

CITY OF GRANDVIEW HEIGHTS, COUNTY OF FRANKLIN, STATE OF OHIO



o = I.P. SET
I.P. Set are 13/16" I.D. iron
pipe with cap inscribed EMHT INC

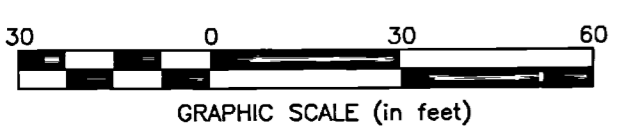
SURVEY NOTE:
This survey was prepared using documents of record, prior
plats of survey, and observed evidence located by an actual
field survey.

BASIS OF BEARINGS:
The bearings shown hereon are based on the Ohio
State Plane Coordinate System, South Zone as per
NAD83 (1986 adjustment). Control for the
bearings was from coordinates of monuments 5-83
and 4-83, having a bearing of North 00° 22' 10"
West, for a portion of the west limited access
right-of-way of Olentangy River Road, established
by the Franklin County Engineering Department
using Global Positioning System procedures and
equipment.

RECEIVED

JUN 25 2014

Franklin County Engineer
Dean C. Ringle, P.E., P.S.



By Matthew A. Kirk 24 JUN 14
Matthew A. Kirk
Registered Surveyor No. 7865

Date:	June 24, 2014
Scale:	1" = 30'
Job No:	2014-0258
Sheet:	1 of 1

REVISIONS		
MARK	DATE	DESCRIPTION

14/20140258.DWG (SHEETS) BOUNDARY 20140258-AS-BNDY-RWDG.DWG plotted by PITCHARD, J.M. on 6/24/2014 10:06:10 AM last saved by PITCHARD, J.M. on 6/17/2014 10:38:18 AM