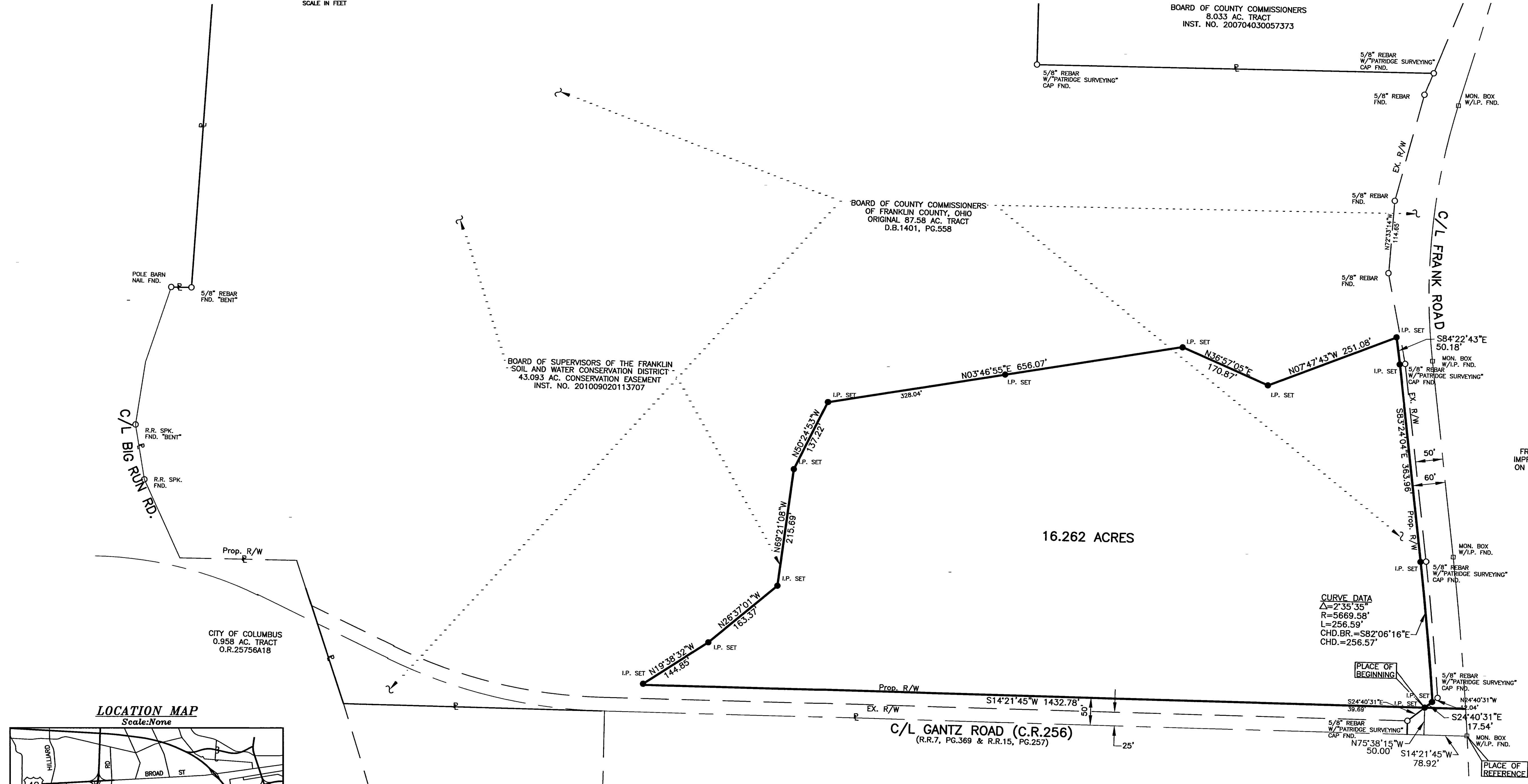
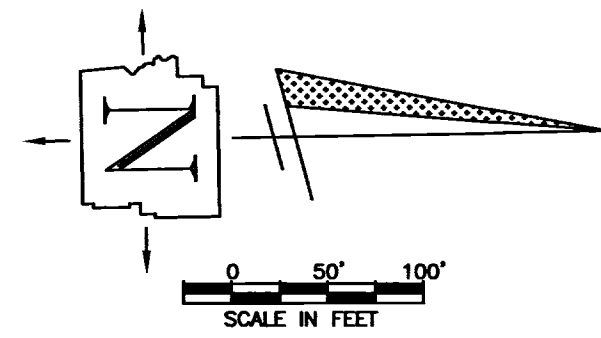
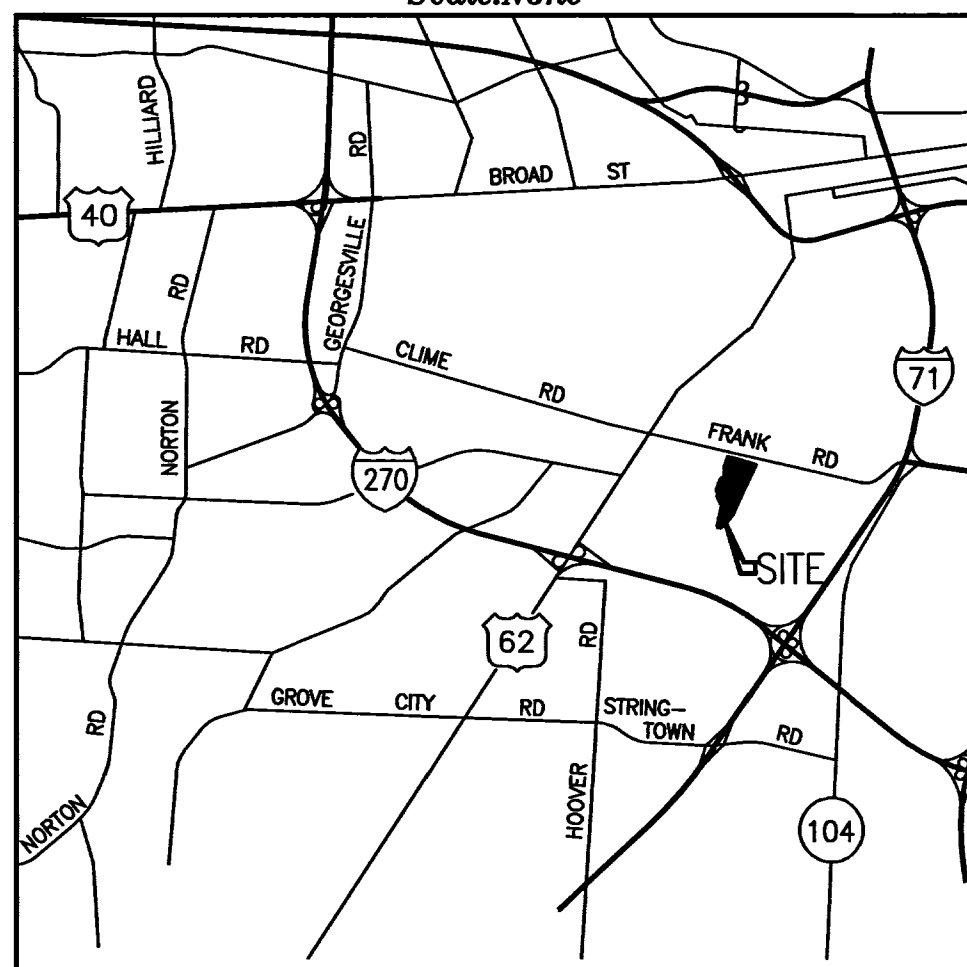


SURVEY OF A 16.262 ACRE TRACT
 SITUATE IN THE STATE OF OHIO, COUNTY OF FRANKLIN, TOWNSHIP OF FRANKLIN,
 BEING A PART OF VIRGINIA MILITARY SURVEY NO. 1454



LOCATION MAP
 Scale: None



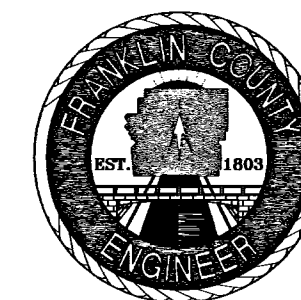
BASIS OF BEARINGS:

BEARINGS ARE BASED ON THE BEARING (S59°43'15"E) AS SHOWN ALONG THE CENTERLINE OF FRANK ROAD AS SHOWN IN THE PLANS OF RECORD FRANK ROAD SEC "A" C.R. NO.125 IMPROVEMENT PLANS (DATED 1972) ON FILE IN THE FRANKLIN COUNTY ENGINEER'S OFFICE.

THIS PLAT WAS PREPARED FROM AN ACTUAL FIELD SURVEY PERFORMED BY THE FRANKLIN COUNTY ENGINEER'S OFFICE, IN DECEMBER, 2006 AND AUGUST, 2009, ALONG WITH PUBLIC RECORDS ON FILE IN THE FRANKLIN COUNTY RECORDER'S OFFICE AND THE FRANKLIN COUNTY ENGINEER'S OFFICE.

David L. Pearson
 DAVID L. PEARSON
 OHIO REGISTERED SURVEYOR NO. 7298

02/06/2013
 DATE



PLAT PREPARED BY:
 FRANKLIN COUNTY ENGINEER
 970 DUBLIN ROAD
 COLUMBUS, OHIO 43215
 614-462-3030

NOTE:

IRON PINS SET ARE 5/8" REBAR WITH PLASTIC CAPS STAMPED "FRANKLIN COUNTY ENGINEER".

DATE: OCT. 18, 2010		DRAWING: Child Serv Split	
		DRAWN BY: DKT	
REVISIONS			
DATE	DESCRIPTION	BY	