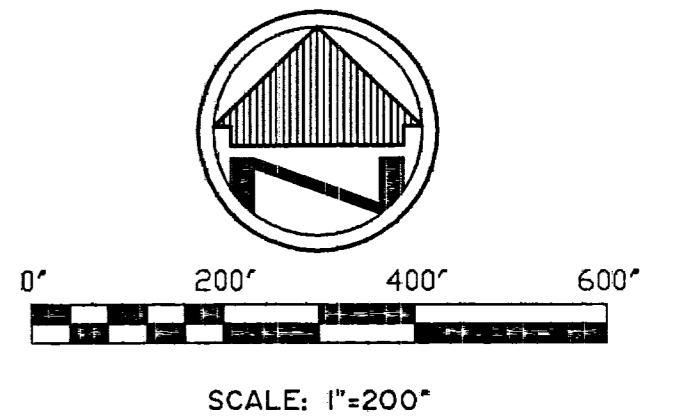


STATE OF OHIO, COUNTY OF FRANKLIN, TOWNSHIP OF BROWN
BEING PART OF VIRGINIA MILITARY SURVEY NO. 6639



REFERENCES

ALTON-DARBY CREEK ROAD
- FRANKLIN COUNTY ENGINEER
C/L SURVEY AND ROAD PLANS

SURVEY BY JERRY A. MALOTT
- DATED 12/20/1988

FRANKLIN COUNTY GIS/AUDITOR WEB SITE
FRANKLIN COUNTY DEED AS REFERENCED

Note: Survey field work performed on 12/16/2011

BASIS OF BEARINGS

THE BASIS OF BEARINGS FOR THIS SURVEY IS S 06°20'09" E AS THE CENTERLINE OF ALTON-DARBY CREEK ROAD AND IS THE SAME AS G.P.S. OBSERVED BETWEEN FRANKLIN COUNTY MONUMENTS "FCGS1205" AND "FCGS1544". SAID BEARING DERIVED FROM GRID NORTH, OHIO STATE PLANE COORDINATE SYSTEM, SOUTH ZONE, NAD83 (1986).

OWNERS

- Owner (A)
Loren G. LeValley
O.R. 9333, Page A15
O.R. 14687, Page 109
- Owner (B)
Ralph L. Edwards, II and
Kimberly C. Edwards, Trustees
Instr. No. 201008120103609
(Tract 2)
- Owner (C)
Deron E. Mitchell
and Amy G. Rhyon
Instr. No. 20009290198521
- Owner (D)
Franklin County Commissioners
Instr. No. 19990113009743
(Parcel 25WD)
- Owner (E)
Franklin County Commissioners
Instr. No. 199811100288799
(Parcel 24WD)
- Owner (F)
Franklin County Commissioners
Instr. No. 199904200097125
(Parcel 22WD-2)
- Owner (G)
Franklin County Commissioners
Instr. No. 199904200097125
(Parcel 22WD-1)
- Owner (H)
Franklin County Commissioners
Instr. No. 199812310337404
(Parcel 26WD)
- Owner (I)
Franklin County Commissioners
Instr. No. 199904200097125
(Parcel 22WD)

Acreege of Taxing Parcels

- 1. Parcel No. 120-000171 - 62.751 Acres
 - 2. Parcel No. 120-000722 - 6.583 Acres
- 69.334 ACRES TOTAL

RECEIVED

FEB 06 2012

Franklin County Engineer
Dean C. Ringle, P.E., P.S.

BOUNDARY SURVEY

3201 Alton-Darby Creek Road
Hilliard, Ohio 43025



JOB NO. 20110304
CAMPBELL &
ASSOCIATES, INC.
Surveying • Engineering

77 E. Wilson Bridge, Suite 205 Worthington, Ohio 43085 (614) 785-9340

LEGEND

- REC. - RECORD DISTANCE OR ANGLE
- CAL. - CALCULATED DISTANCE OR ANGLE
- B.O.B. - BASIS OF BEARINGS
- OBS. - OBSERVED DISTANCE OR ANGLE
- - MONUMENT FOUND, SIZE & TYPE AS INDICATED.
- - 5/8" REBAR, 30 INCHES IN LENGTH, WITH I.D. CAP "C" & "A" SET
- ▲ - PK NAIL FOUND

I HEREBY DECLARE THAT I HAVE SURVEYED THE LAND SHOWN ON THIS PLAT, AND HAVE FOUND OR SET THE PINS AND MONUMENTS SHOWN ON THIS PLAT.

JAMES P. YURKSCHAK
CAMPBELL & ASSOCIATES, INC. REG. NO. 7809

12/16/2011
DATE

