

NORWICH TWP.

MS CONSULTANTS, INC.

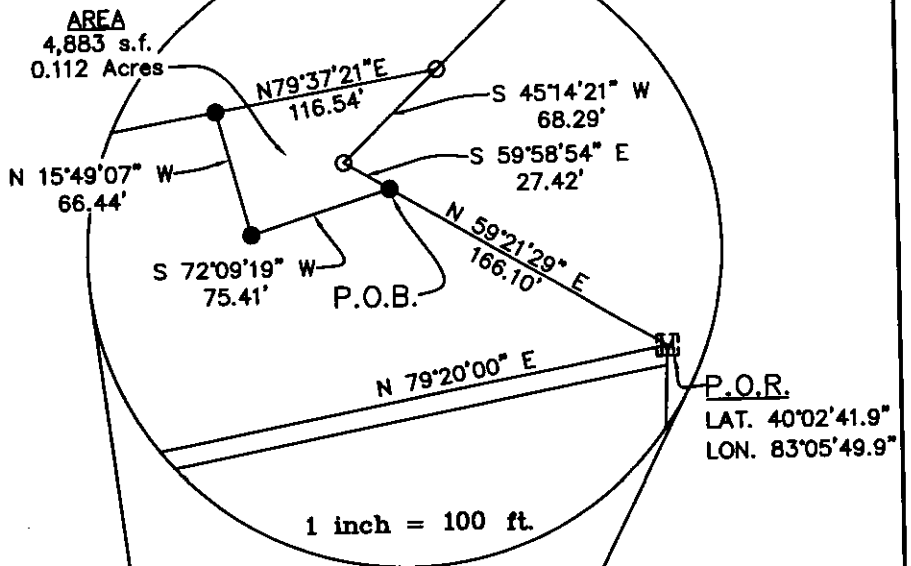
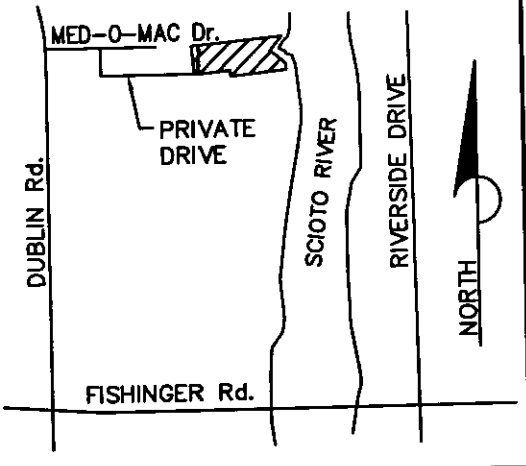
(614) 898-7100

2221 SCHROCK ROAD COLUMBUS, OHIO 43229

FAX (614) 898-7570

SITUATED IN THE STATE OF OHIO, COUNTY OF FRANKLIN, TOWNSHIP OF NORWICH, PART OF VIRGINIA MILITARY SURVEY NO. 1406, BEING A 0.112 ACRE TRACT OF LAND OUT OF THAT TRACT NUMBER ONE(1) OF THE UNRECORDED PLAT OF THE "SUBDIVISION OF ROBERT K. McALLISTER 61.851 ACRE TRACT" (KNOW AS MED-O-MAC ACRES), BEING ON FILE IN THE FRANKLIN COUNTY ENGINEER'S OFFICE, FRANKLIN COUNTY OHIO, AND BEING FURTHER DESCRIBED AS THAT 2.949 ACRE TRACT AS DESCRIBED IN A DEED TO THOMAS E. MOSURE, JR. AND LINDA M. MOSURE, OF RECORD IN INSTRUMENT NUMBER 200001310020725, ALL REFERENCES TO RECORDS ARE ON FILE IN THE RECORDER'S OFFICE, FRANKLIN COUNTY, OHIO.

LOCATION MAP



LEGEND

- = 5/8" REBAR, 30" LONG BEARING A YELLOW PLASTIC CAP STAMPED "7159-MS CONSULTANTS"
- = CONCRETE MONUMENT FOUND
- = IRON PIN FOUND

Med-O-Mac Acres
Unrecorded Plat of the
Subdivision of the Robert K.
McAllister 61.851 Acre Tract

Med-O-Mac Drive

200-000536
2.901 Acres
Gene Daulton
O.R. 15328 G-11

Tract No. 2

Thomas E. & Linda M. Mosure
Instrument No. 200001310020725
PID: 200-000535
Tract No. 1 - 2.949 Acres

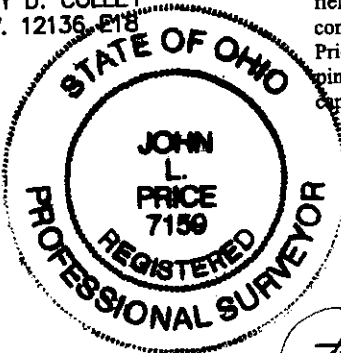
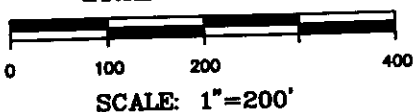
N 79°20'00" E
Tract No. 2 - 0.139 Acres
PID: 200-000716

LOTHAR DREWENSKUS
AND
EVA E. DREWENSKUS
D.B. 3537, PG. 682

MICHAEL F. COLLEY
AND
NANCY D. COLLEY
O.R.V. 12136-218

The basis of bearing for this description is based on a bearing of South 79°20'00" West along the southerly line of said Tract Number One (1), of the unrecorded plat of the Subdivision of the Robert K. McAllister 61.851 Acre Tract, known as Med-O-Mac Acres, being on file in the Franklin County Engineer's Office, Franklin County, Ohio.

GRAPHIC SCALE



The foregoing description was prepared from an actual field survey of the Tract Number One (1) in 2000 by ms consultants, inc., under the direct supervision of John L. Price, Registered Professional Surveyor No. 7159. Iron pins set are 5/8" rebar, 30" long bearing a yellow plastic cap stamped "7159-ms consultants".

John L. Price 4/15/04
JOHN L. PRICE
PROFESSIONAL SURVEYOR NO. 7159

CITY OF COLUMBUS
16.86 Acres
D.B. 1050, Pg. 298

RECEIVED

MAY 04 2004

Franklin County Engineer
Dean C. Ringle, PE., P.S.

80107450