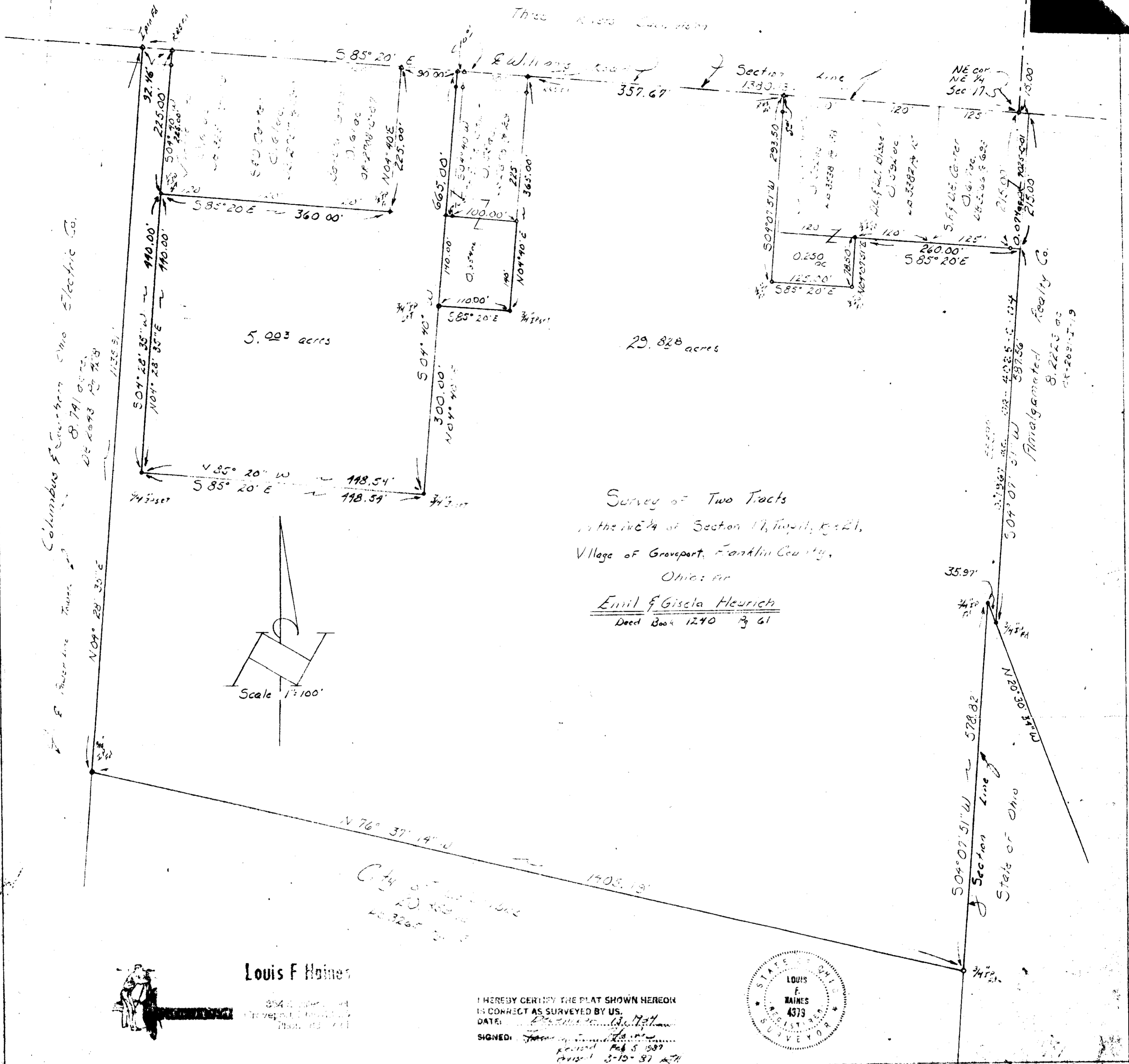


Three Rivers Survey

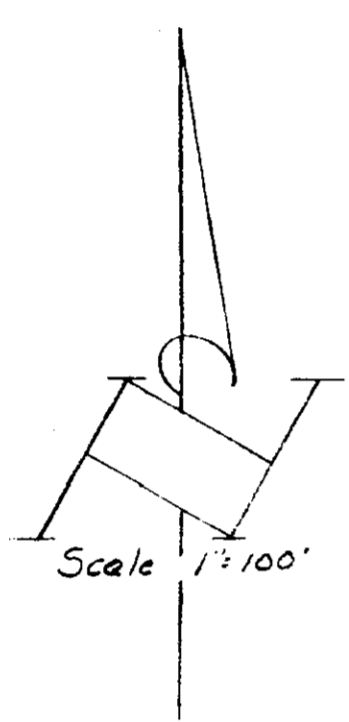


Columbus & Southern Ohio Electric Co.
 8.741 ac.
 DE 1093 12 7 19

5.003 acres

29.828 acres

Survey of Two Tracts
 in the NW 1/4 of Section 17, Twp. 10, R. 21,
 Village of Grovesport, Franklin County,
 Ohio: for
Emil & Gisela Heinrich
 Deed Book 1240 Pg 61



Louis F Haines

I HEREBY CERTIFY THE PLAT SHOWN HEREON
 IS CORRECT AS SURVEYED BY US.
 DATE: February 5, 1927
 SIGNED: Louis F. Haines
 Surveyor



H-208