

590  
1977

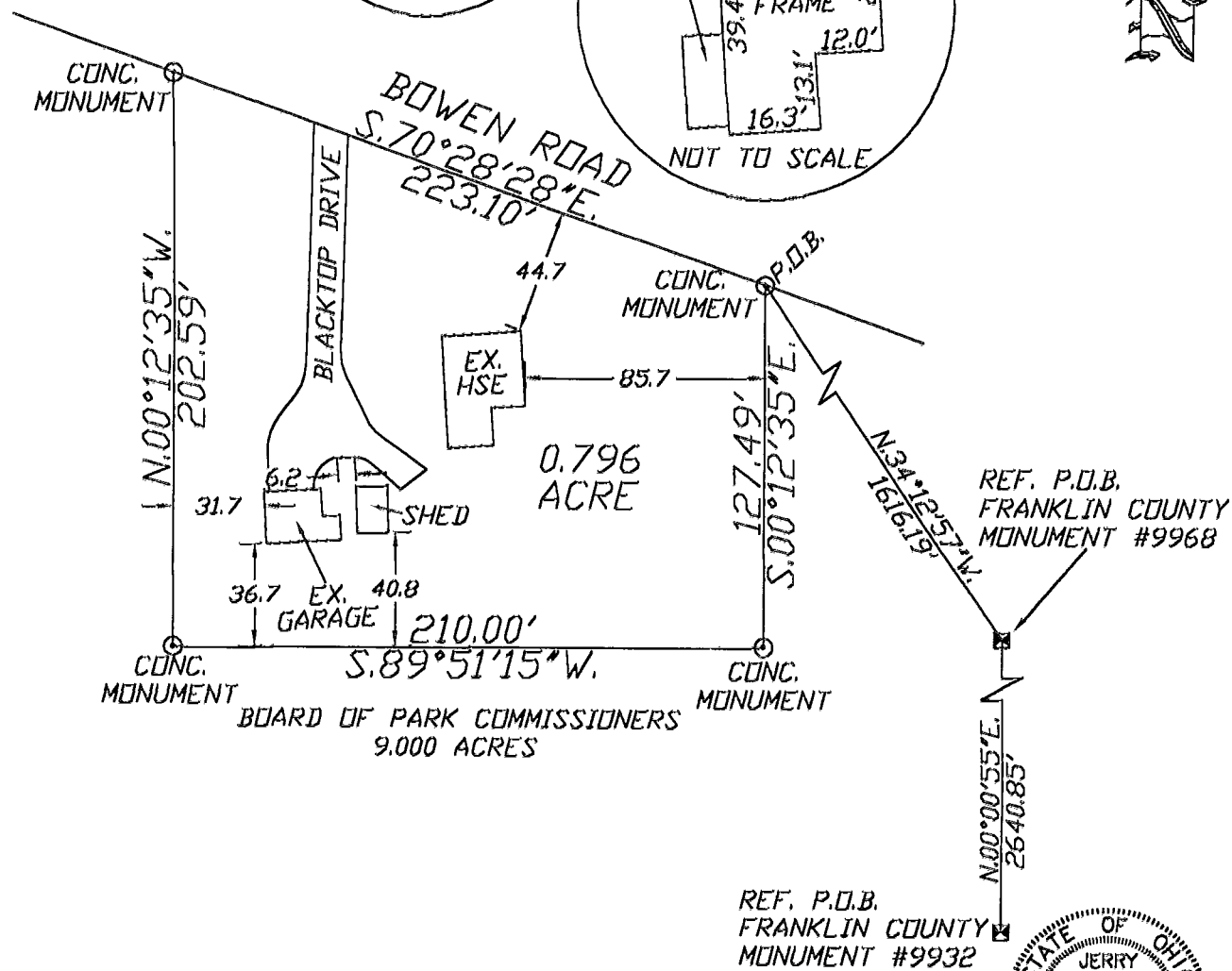
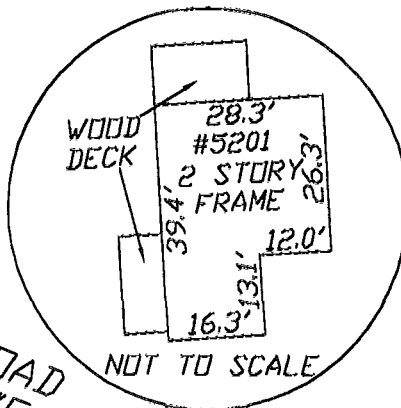
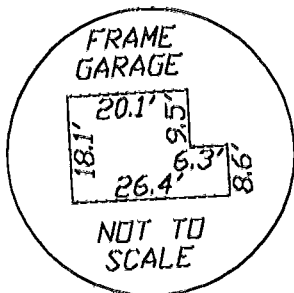
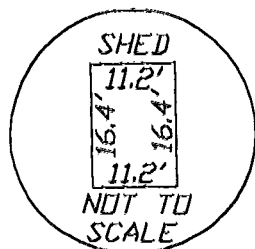
88356825

# JERRY A. MALOTT SURVEYING Co.

6810 East Main Street ~ Suite 101, Reynoldsburg, Ohio 43068 (614) 577-0957

## BOUNDARY SURVEY

NOVEMBER 30, 2000 #14816

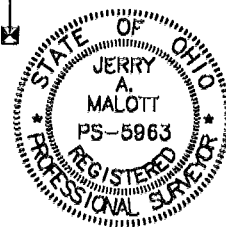


D-43-F

THIS WAS BASED ON AN ACTUAL FIELD SURVEY BY THE JERRY A. MALOTT SURVEYING COMPANY IN NOVEMBER, 2000.

BEARINGS WERE BASED ON THE OLD CENTERLINE OF BOWEN ROAD AS BEING S.69°19'35"E. AS SHOWN IN D.R. 11545, PG. I18, FRANKLIN COUNTY BY RECORDER'S RECDRDS.

*Jerry A. Malott*  
 Registered Surveyor #5963  
 JERRY A. MALOTT



SCALE 1" = 40' DATE NOVEMBER 30, 2000

LOCATION State of Ohio, County of Franklin, City of Columbus and being Part of a 1.000 Acre Tract in D.R. 11545, Pg. I18, Franklin County Recorder's Records.

MADISON Twp

8835-6825  
D-43-F