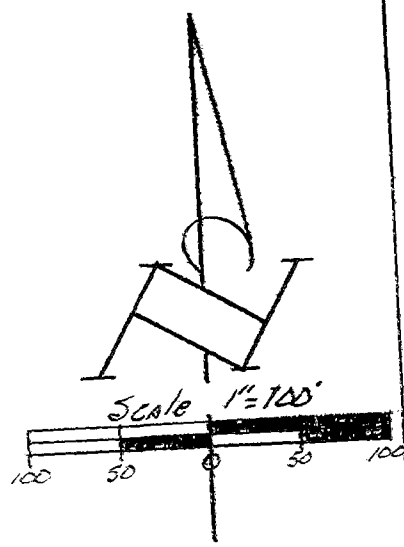
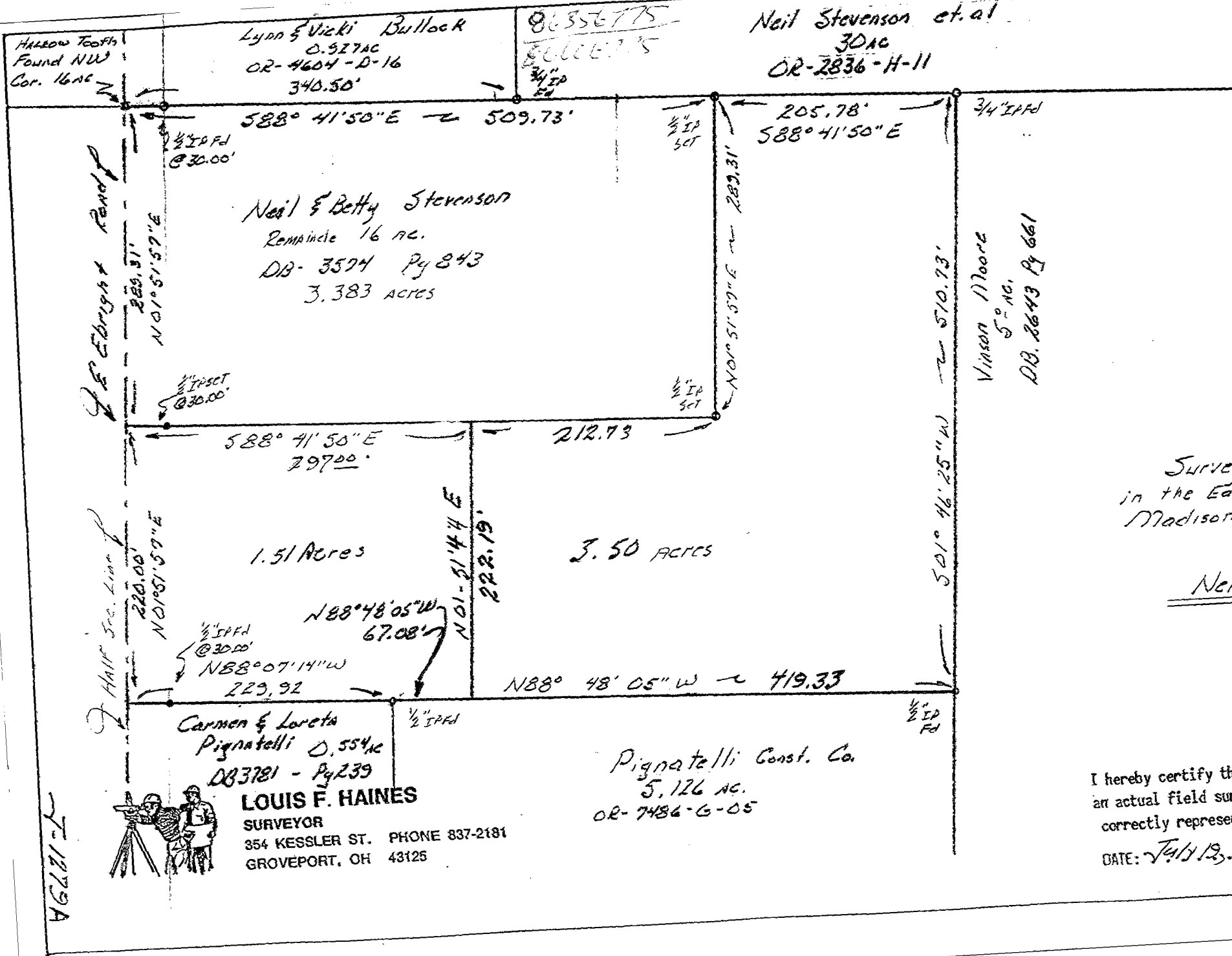


B-45-B
Madison Twp.



Survey of Three Tracts
in the East 1/2 of Section #22,
Madison Twp., Franklin Co.,
Ohio; for

Neil Stevenson

I hereby certify that the plat shown hereon was performed from
an actual field survey, under my supervision and that said plat
correctly represents said survey.
DATE: July 12, 1928. SIGNED: Louis F. Haines

LOUIS F. HAINES
SURVEYOR
354 KESSLER ST. PHONE 837-2181
GROVEPORT, OH 43125



7-1279A