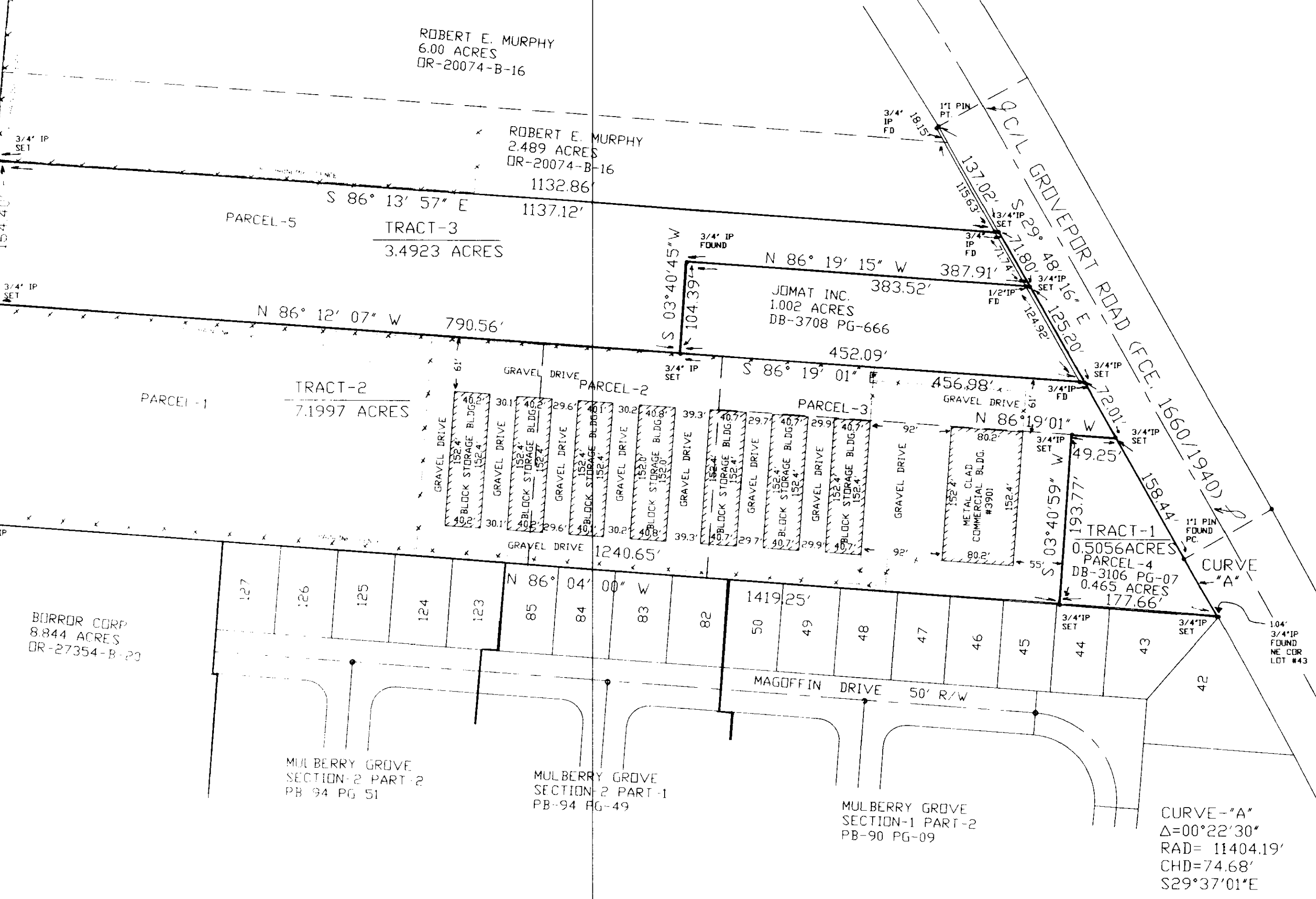


COLUMBUS, FRANKLIN COUNTY  
AFFIDAVIT OF POSSESSION  
35.677 ACRES  
INST # 200208210083

N 04° 16' 50" E  
2500.1'  
N 04° 30' 00" E  
1261.63'



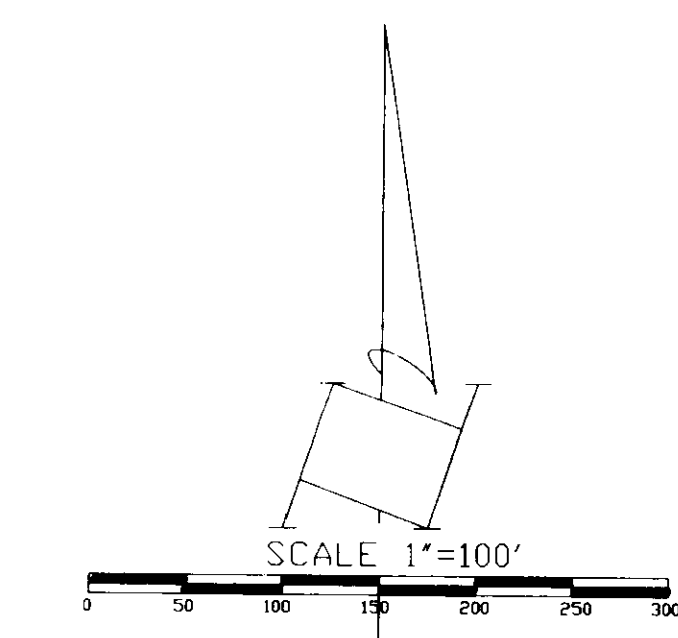
BORROR CORP.  
8.844 ACRES  
DR-27354-B-20

ROBERT E. MURPHY  
6.00 ACRES  
DR-20074-B-16

ROBERT E. MURPHY  
2.489 ACRES  
DR-20074-B-16

JOMAT INC.  
1.002 ACRES  
DB-3708 PG-666

CURVE - "A"  
Δ=00°22'30"  
RAD=11404.19'  
CHD=74.68'  
S29°37'01"E



BASIS OF BEARINGS: NORTH LINE OF A 43.996  
ACRE TRACT, SURVEYED BY HOCKADEN & ASSOC.,  
CONVEYED TO BORROR CORP., DR-27354-B-20.

PRIOR DEED REFERENCES:  
PARCEL-1 152-000022 DB-3106 PG-10  
PARCEL-2 152-001438 DB-3718 PG-204  
PARCEL-3 152-000025 DB-3106 PG-04  
PARCEL-4 152-000011 DB-3106 PG-07  
PARCEL-5 152-000382 DB-3529 PG-276

LOCATION SURVEY ON THREE TRACTS  
IN THE NE 1/4 SEC-14, TWP-4, RGE-22  
VILLAGE OF HIBETZ, FRANKLIN COUNTY,  
STATE OF OHIO:

FOR  
SOUTHERN DEVELOPMENT CO.

AND OR

AMERITITLE AGENCY

1 1/4" PIPE FOUND  
SOUTHWEST CORNER  
NORTHEAST QUARTER  
SECTION 14

Louis F. Haines

PREPARED BY: L. F. HAINES, SURVEYOR  
DATE: November 19, 2002  
SIGNED: *Louis F. Haines*