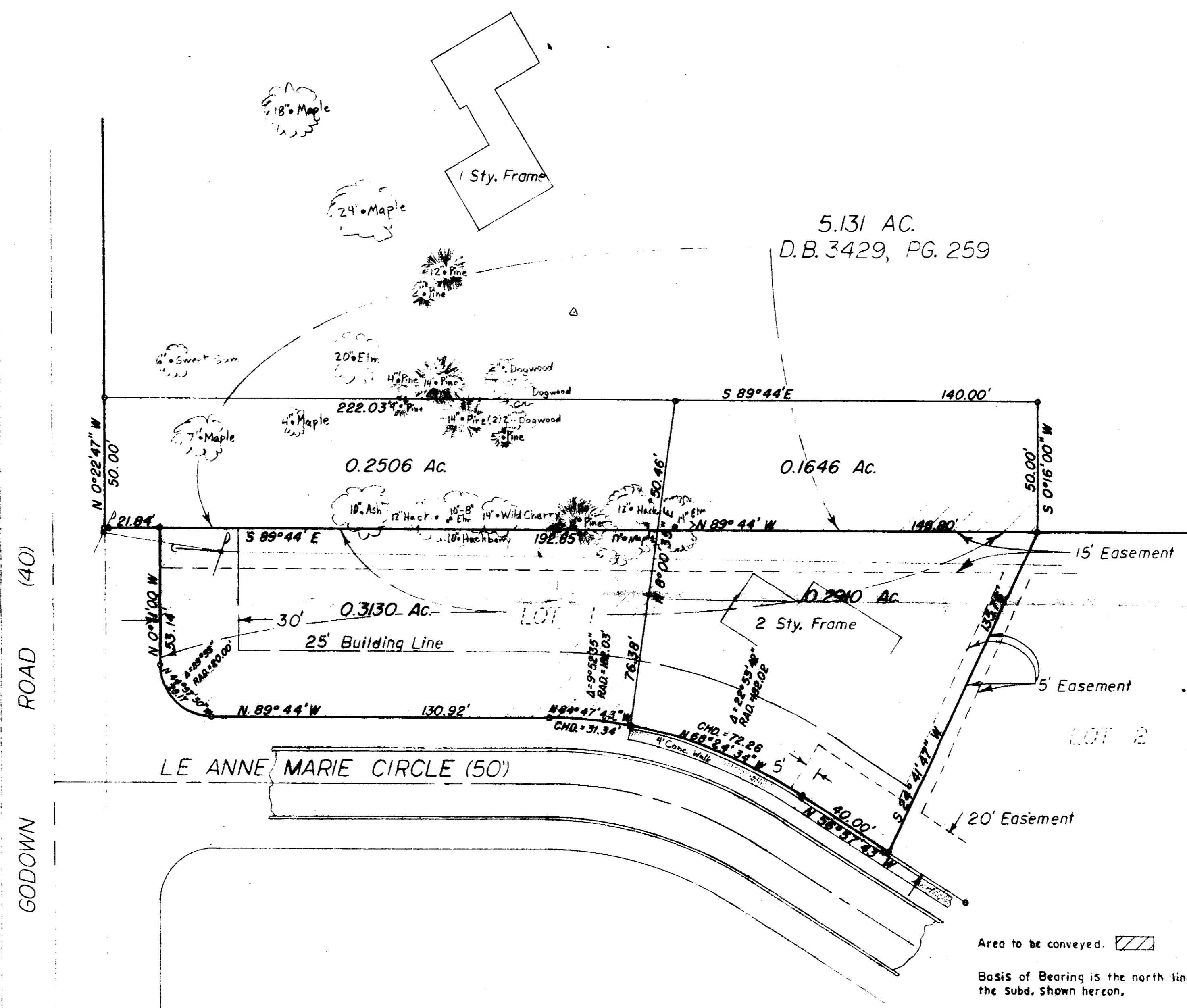
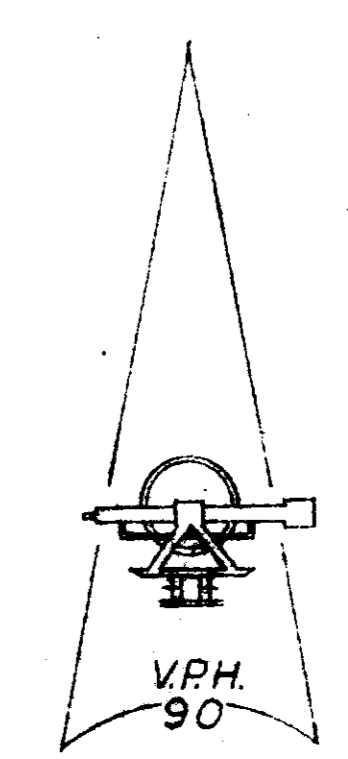


0-70-F  
 &  
 N-232-c



Area to be conveyed.

Basis of Bearing is the north line of the Subd. shown hereon.



Plat showing a partial topographic and propose lot split of Lot 1, of the Martha Gibson Subdivision, P.B. 51, Pg. 87, and the southwesterly part of a 5.131 Ac. tract, D. B. 3429, Pg. 259, both references to the Franklin County Recorder's Office, Ohio.

Scale 1" = 30' July 11, 1990  
 For: Christian Fellowship Church  
 Harry L. Greene  
 Harry L. Greene Registered Surveyor No. 4058  
 2160 Tremont Center Columbus, Ohio (614) 466-0744

