

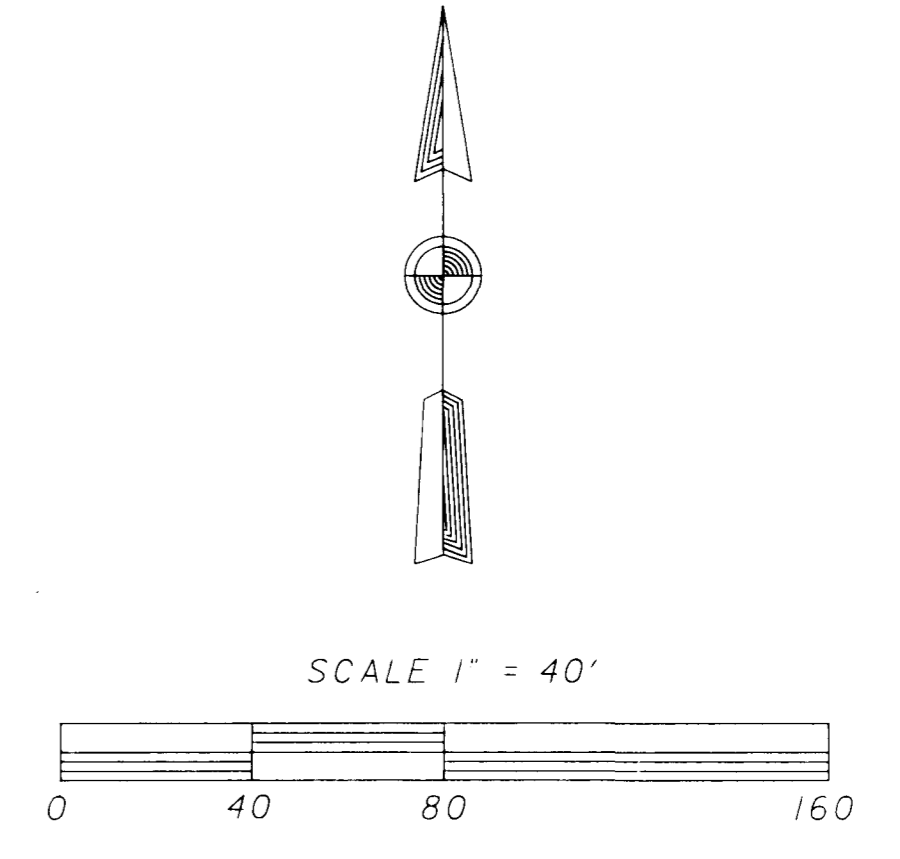
LAKESIDE AT THE SANCTUARY
 CONDOMINIUMS
 PLAZA PARTNERS LIMITED PARTNERSHIP
 OFFICIAL RECORD 6795 B19

LAKESIDE AT THE SANCTUARY
 CONDOMINIUMS
 PLAZA PARTNERS LIMITED PARTNERSHIP
 OFFICIAL RECORD 6795 B19

TRACT NO. 2
 SURVEYED MAY 15, 1990
 BY: BENATEC ASSOC. INC.
 OLENTANGY RIVER RD.
 COLUMBUS, OHIO
 1.252 ACRES

ORIGINAL TRACT
 HENRY M. & GRACE J. HANCOCK
 DEED BOOK 2516, PAGE 366
 1.613 ACRES

REVISED MARCH 3, 1990
 BY: BENATEC ASSOC. INC.
 OLENTANGY RIVER RD.
 COLUMBUS, OHIO
 OFFICIAL RECORD 1672 A06
 1.229 ACRES



**LAND SURVEY
 PLAT OF SURVEY**

MADE FOR
 MR. & MRS. HENRY M. HANCOCK
 SHOWING A SMALL TRACT OF LAND
 LYING IN QUARTER TWP. 2, TWP. 2,
 RANGE 18, U.S. MILITARY LANDS, SHARON TOWNSHIP,
 FRANKLIN CO., OHIO AND ALSO BEING
 A PART OF A 4.096 ACRE TRACT;
 PART OF FARM LOT NO. 51

SURVEY MADE DURING MAY, 1990
 SURVEYED BY:
BENATEC ASSOCIATES INC.
 3045 OLENTANGY RIVER RD.
 COLUMBUS, OHIO

BY: Richard W. Miller
 REGISTERED OHIO SURVEYOR # 6004
 RICHARD W. MILLER

DATE: MAY 16, 1990
 PROJECT NO. 907507

