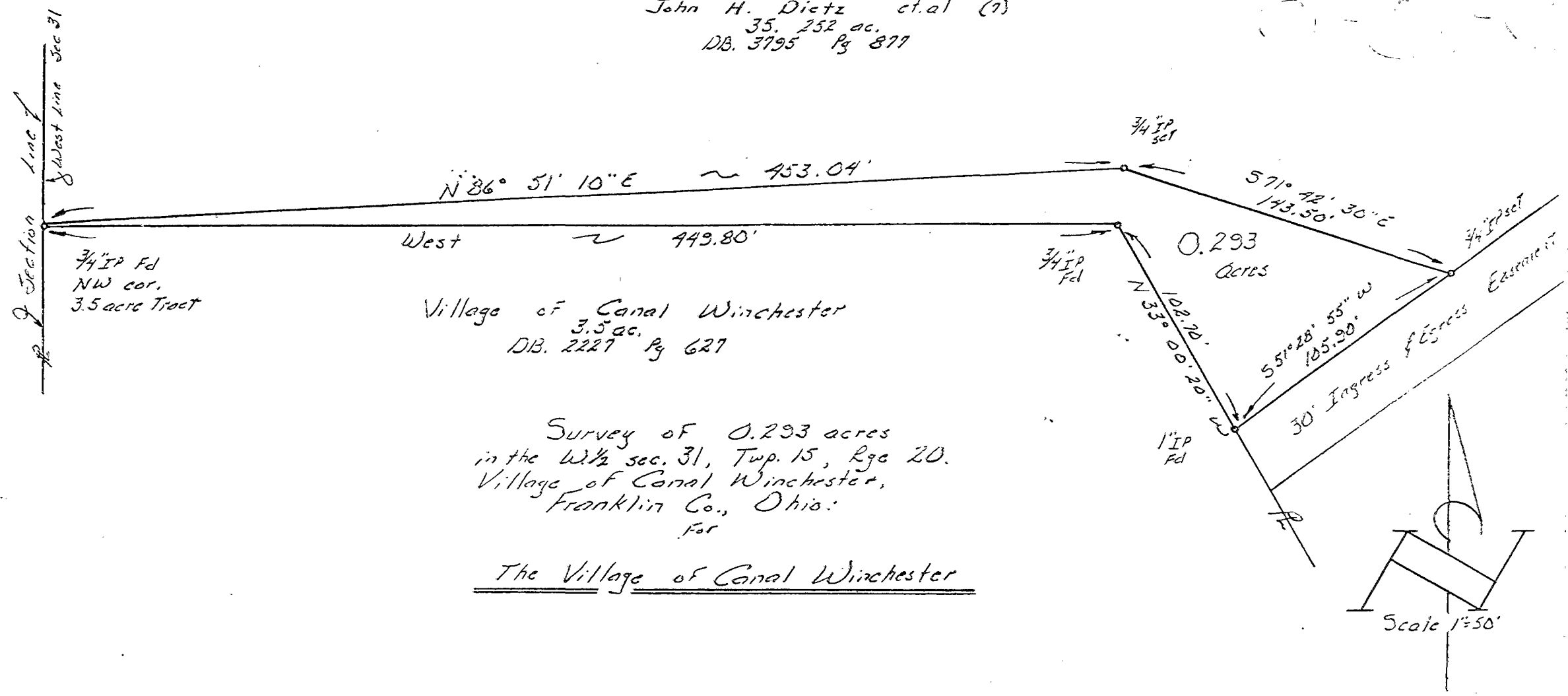


87956650

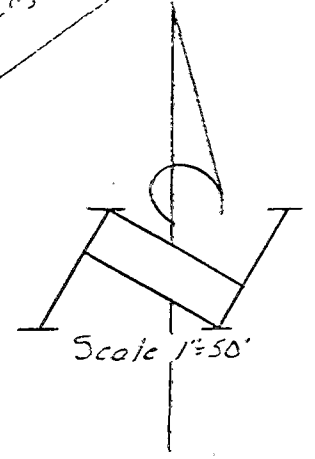
MAD. SUR. INVA.

John H. Dietz et al (7)
35.252 ac.
DB. 3795 Pg 877



Survey of 0.293 acres
in the W 1/2 sec. 31, Twp. 15, Rge 20.
Village of Canal Winchester,
Franklin Co., Ohio.
For

The Village of Canal Winchester



LOUIS F. HAINES

Surveyor

FR ST. PHONE 837-2181
OH 43125

I hereby certify that the plat shown hereon was prepared from an actual field survey, under my supervision and that said plat correctly represents said survey.

DATE: May 26, 1966 SIGNED: Louis F. Haines