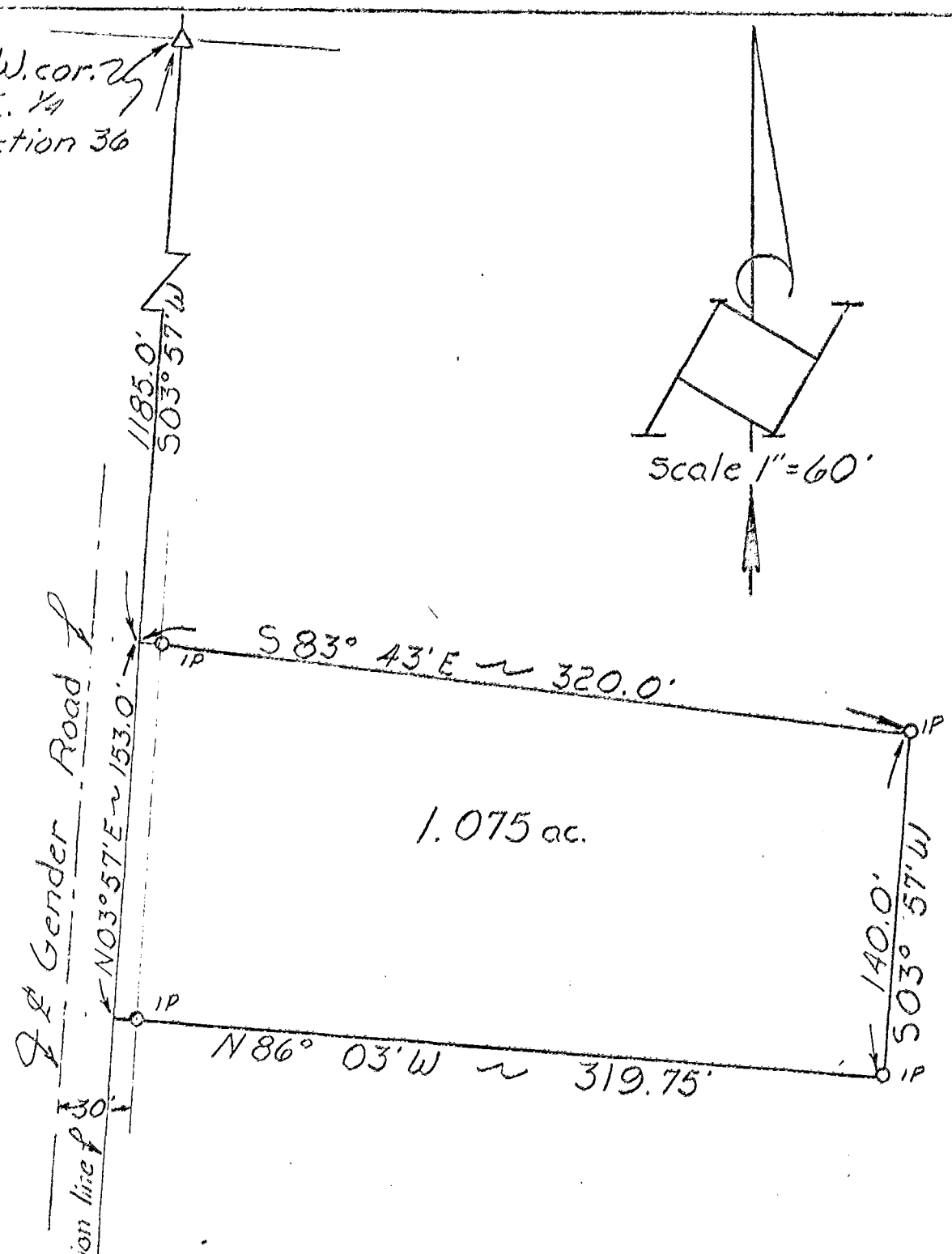
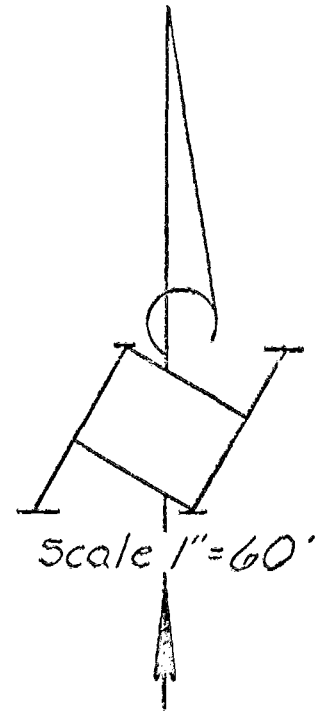


0-51-B
 N.W. cor. 25
 N.E. 1/4
 Section 36
 MADISON TWP

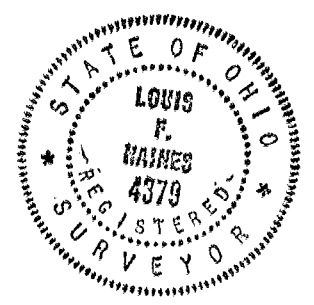


1.075 ac.

Survey of 1.075 acres
 in the N.E. 1/4 of section # 36,
 Twp. 11, Rge. 21. Madison Twp.,
 Franklin Co., Ohio

For

Kathryn Thrush et al.



Louis F Haines

132 E. Main Street
 Lancaster, Ohio 43130
 Phone 654 - 7306

I HEREBY CERTIFY THE PLAT SHOWN HEREON
 IS CORRECT AS SURVEYED BY US.
 DATE: October 31, 1978
 SIGNED: Louis F. Haines

87356675
 87606675

