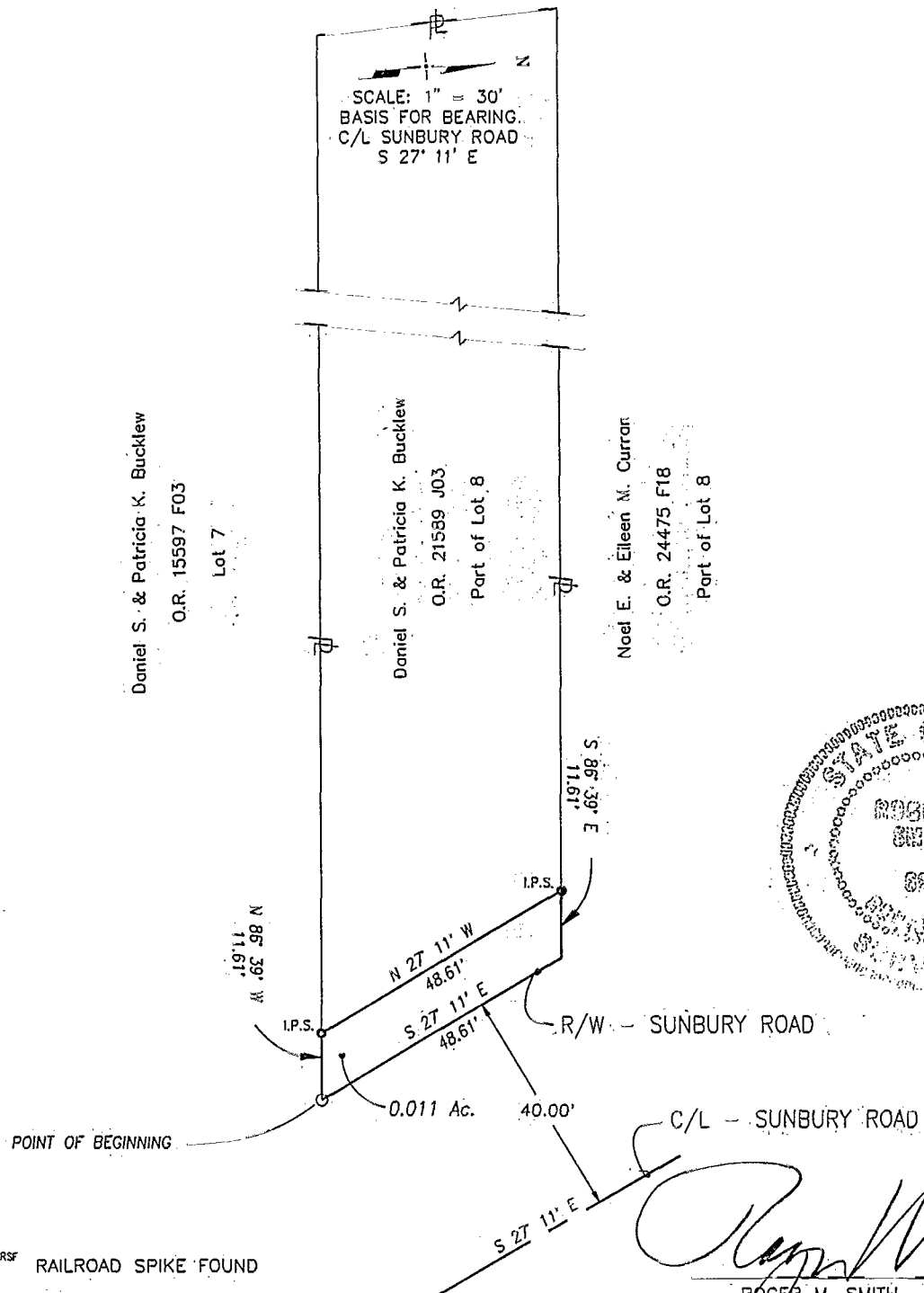


SMITH 11/08/02 9:06:31 AM C:\9063100\PLATS\SHEETS\BUCKLEWB.DWG 02/20/97 06:56 LTS: 15 PSLTS: 0

SCALE: 1" = 30'
 BASIS FOR BEARING:
 C/L SUNBURY ROAD
 S 27° 11' E



Roger M. Smith
 ROGER M. SMITH
 OHIO REGISTERED SURVEYOR
 S-6899

- Δ_{BRSF} RAILROAD SPIKE FOUND
- $\circ_{I.P.F.}$ IRON PIN FOUND
- $\times_{I.P.}$ IRON PIN CALL
- $\bullet_{I.P.S.}$ IRON PIN PROPOSED

PROJECT	SUNBURY ROAD	JOB NO.	9063100
SUBJECT	PROPERTY PLAT	DATE	20 FEB 97
BY	RMS	CHECKED	RMS
SHEET NO.		1 OF 1	

URS

URS CONSULTANTS
 ARCHITECTS • ENGINEERS • PLANNERS

BLENDON
 85 857 725