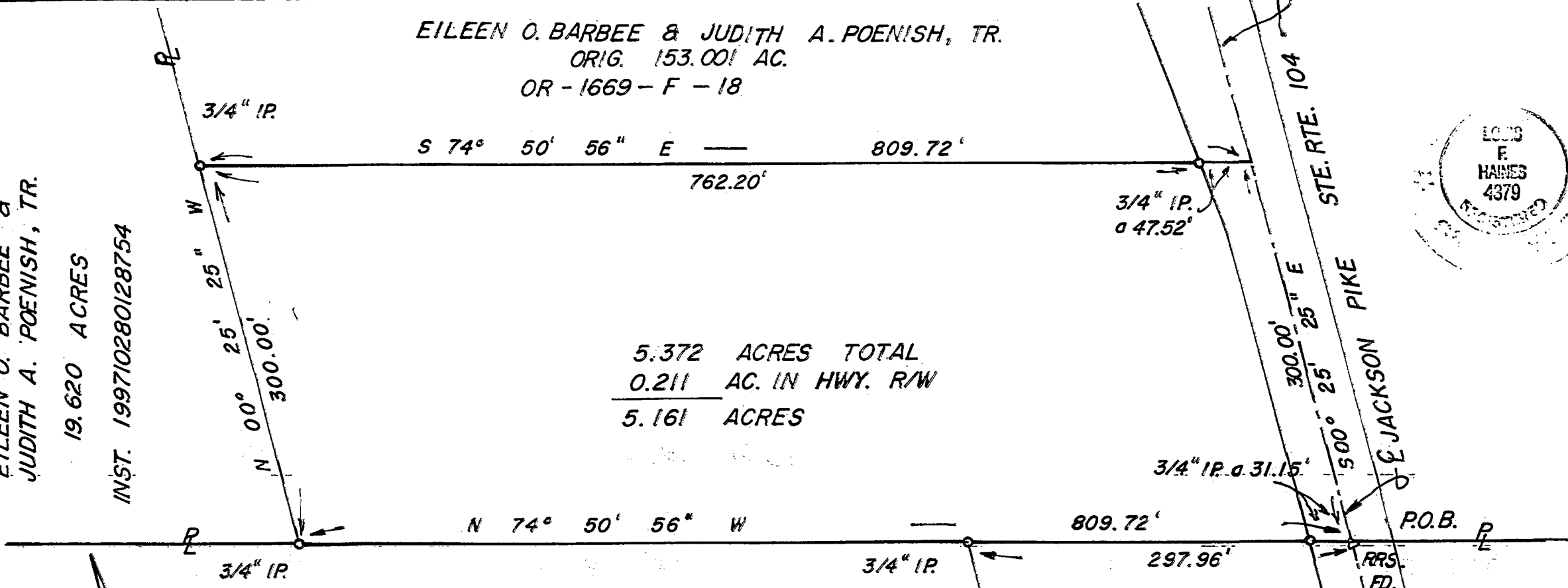


EILEEN O. BARBEE & JUDITH A. POENISH, TR.
ORIG. 153.001 AC.
OR - 1669 - F - 18

EILEEN O. BARBEE &
JUDITH A. POENISH, TR.
19.620 ACRES
INST. 199710280128754

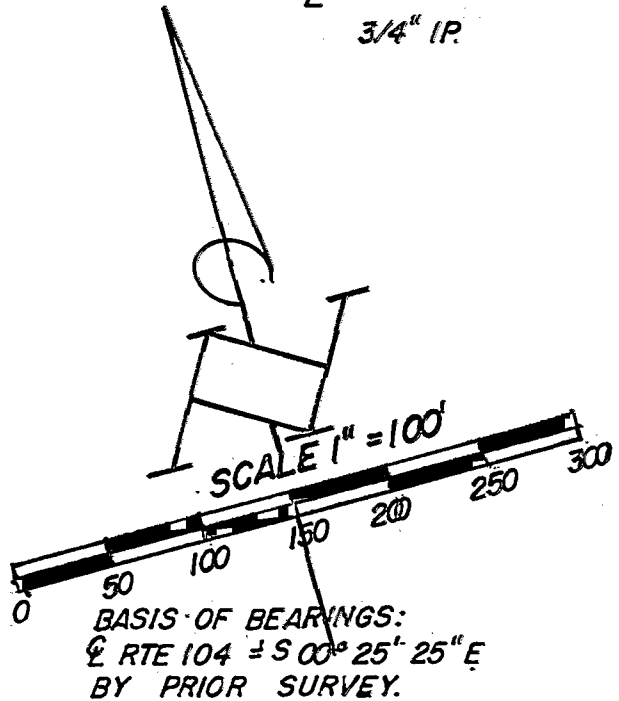


5.372 ACRES TOTAL
0.211 AC. IN HWY. R/W
5.161 ACRES

MANHEIM SERVICES CORP.
87.926 AC.
OR. 31643 - I - 16

MANHEIM SERVICES CORP.
1.809 AC.

HAINES SURVEYORS
354 Kessler Street
Groveport, Ohio 43122
Phone: 837-2181



SURVEY OF 5.372 ACRES
IN VMS. 469, JACKSON TOWNSHIP,
FRANKLIN CO., OHIO: for

EILEEN O. BARBEE & JUDITH A. POENISH TR.

Surveyed and returned to the State of Ohio
January 20, 1998 SIGNED Louis F. Haines