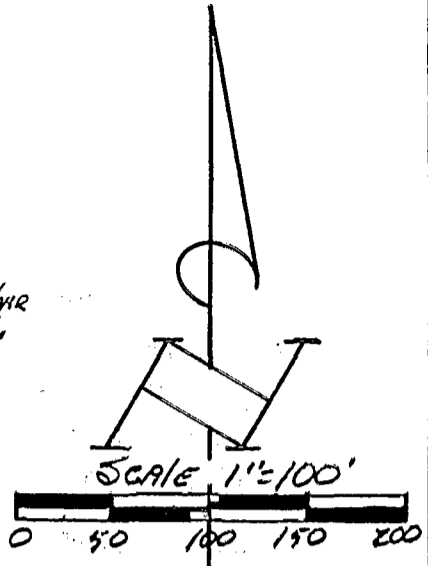
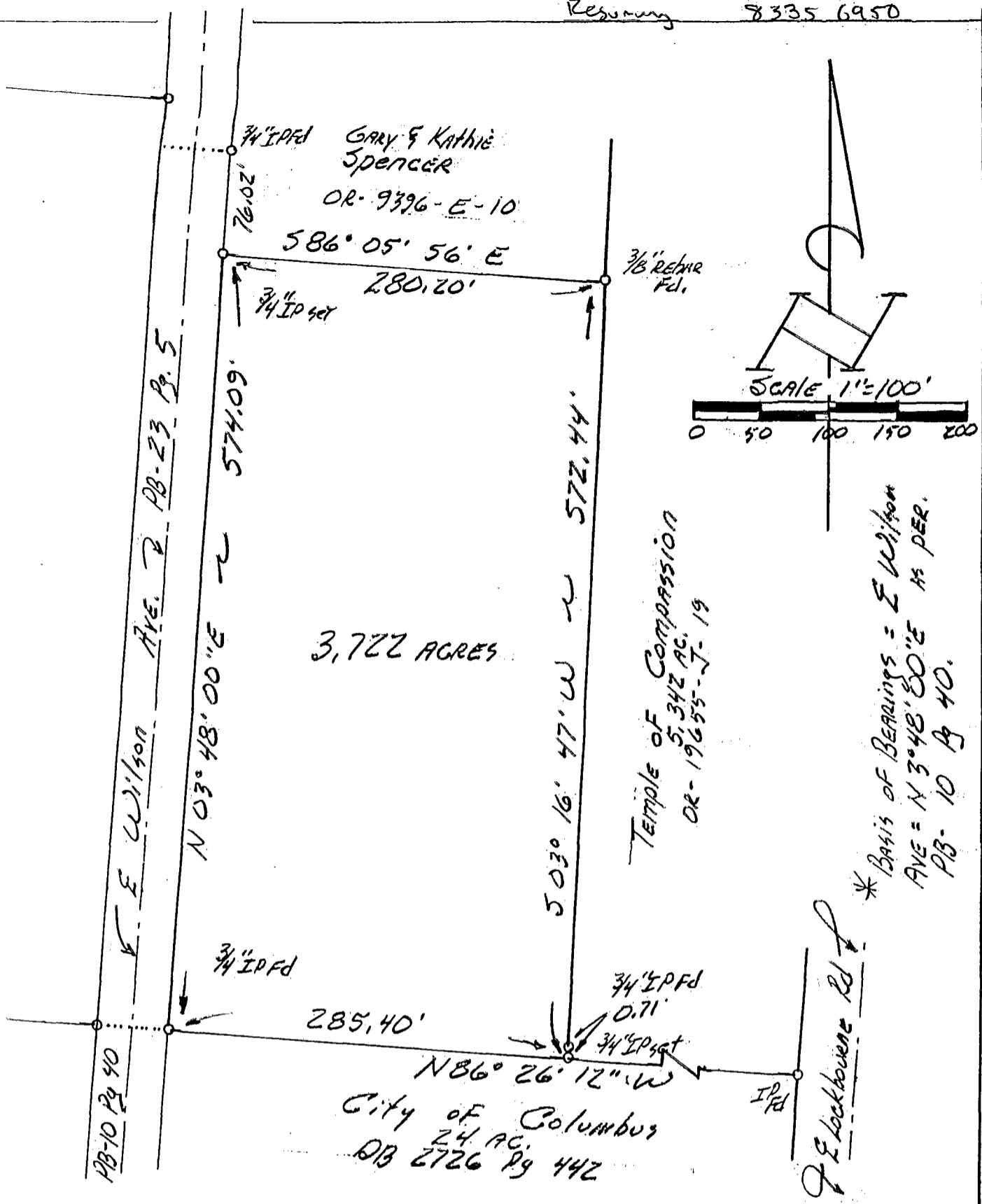


C-54-A  
MARION Twp.



3.722 ACRES

TEMPLE OF COMPASSION  
OR- 5,342 AC.  
OR- 19655-J-19

\* BASIS OF BEARINGS = E. Wilson  
AVE = N 3° 48' 00" E 1/4 PER.  
PB- 10 B 40.

City of Columbus  
24 AC.  
DB 2726 Pg 442

SURVEY OF 3.722 ACRES  
in the East 1/2 sec. 3, Twp. 4, Rge. 22  
City of Columbus, Franklin Co.,  
Ohio: FOR

The Estate of Jeannette McDowell



HAINES SURVEYING  
354 Kessler Street  
Groveport, Ohio 43125  
Phone: 837-2181

83606950



Revised 10/20/96?

I hereby certify that the plat shown hereon was performed from an actual field survey, under my supervision and that said plat correctly represents said survey.  
DATE October 20, 1996 SIGNED Louis F. Haines