

PREPARED BY:
 BURGESS & NIPLE, LIMITED
 ENGINEERS & ARCHITECTS
 5085 REED ROAD
 COLUMBUS, OHIO 43220

EXHIBIT B-PARCEL 10WD
 0.2940 ACRE
 SHIER RINGS ROAD
 PERMANENT RIGHT-OF-WAY
 DUBLIN, OHIO

FOR: THE CITY OF DUBLIN, OHIO

77857625

EITERMAN/POST LLC
 INSTRUMENT 199802230039207
 5.002 ACRES



SCALE: 1" = 100'

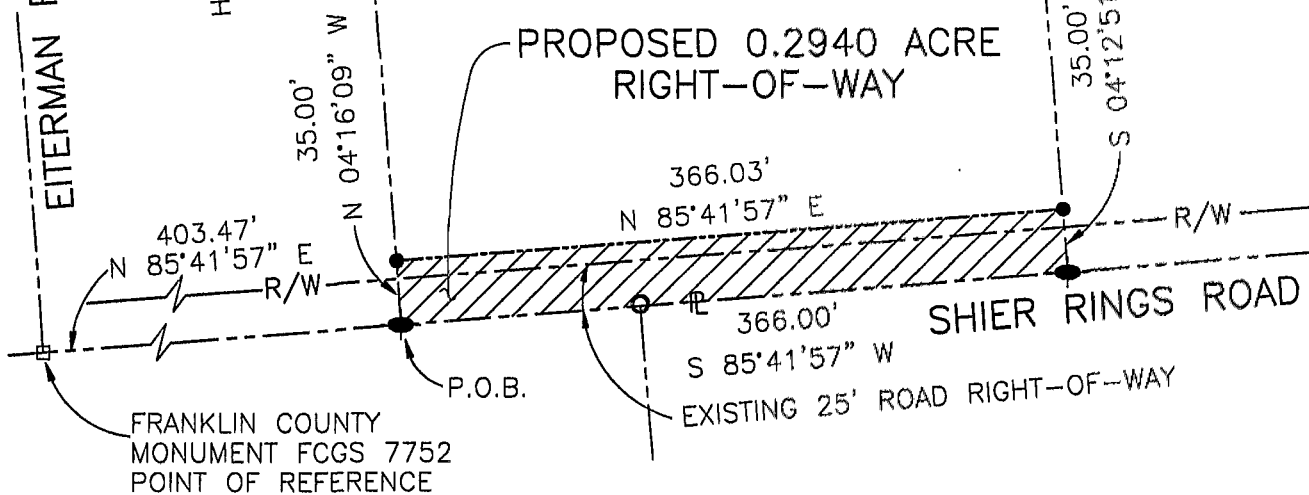
HEARTHSTONE MANAGEMENT COMPANY
 O.R. 14789 C02
 4.868 ACRES

FELLOWSHIP BAPTIST CHURCH OF DUBLIN
 O.R. 18349 B18
 5.117 ACRES

ESTATE OF DORIS L. RINGS
 INSTRUMENT NO. 200010130208971
 6.604 ACRES

EITERMAN ROAD

PROPOSED 0.2940 ACRE
 RIGHT-OF-WAY



FRANKLIN COUNTY
 MONUMENT FCGS 7752
 POINT OF REFERENCE



TOTAL TAKE = 0.2940 ACRES
 P.R.O. = 0.2100 ACRES
 NET = 0.0840 ACRES

THE BEARINGS USED HEREIN ARE BASED ON
 THE OHIO STATE PLANE COORDINATE SYSTEM
 WITH THE LINE BETWEEN FCGS 2229 AND
 FCGS 2230, BEING N05°40'27\"/>

- LEGEND**
- IRON PIN FOUND
 - IRON PIN SET
 - ⊙ RAIL ROAD SPIKE FOUND
 - ⊙ RAILROAD SPIKE SET
 - MONUMENT FOUND
 - △ PK NAIL FOUND

DRAWN	CHECKED	JOB NO.
DLR	SPM	27974

BY: *S. Patrick Mills*
 PROFESSIONAL SURVEYOR

Jan. 21, 2004
 DATE

WASHINGTON Twp.
 O-109-C

C:\PR27974\CADD\RW\PARCELS\ P10.DWG