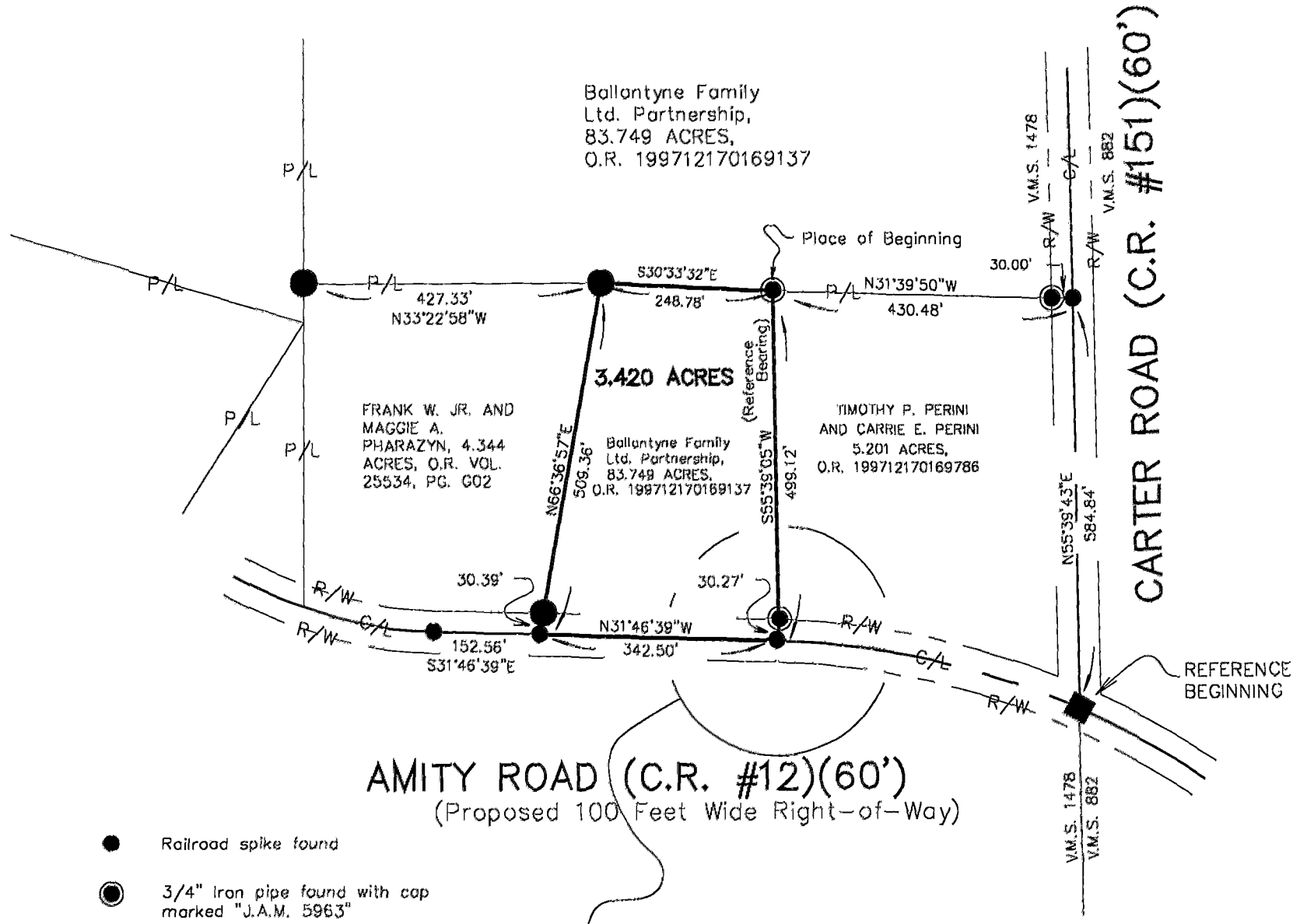


# SURVEY FOR WAYNE BALLANTYNE

STATE OF OHIO, COUNTY OF FRANKLIN, TOWNSHIP OF BROWN, V.M.S. 1478, BEING  
PART OF BALLANTYNE FAMILY LIMITED PARTNERSHIP'S 83.749 ACRE TRACT  
DESCRIBED IN OFFICIAL RECORD 199712170169786

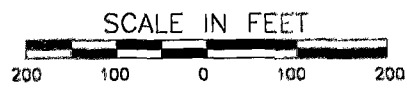
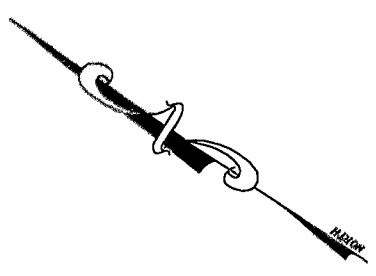
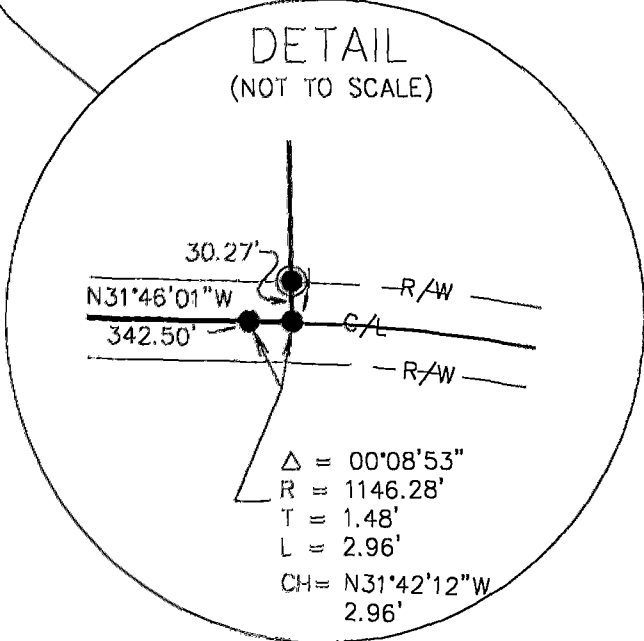


- Railroad spike found
- ⊙ 3/4" Iron pipe found with cap marked "J.A.M. 5963"
- 5/8" Iron pin found with cap marked "THOMAS ENG. & SURVEYING"
- Franklin County Monument

Reference deeds shown hereon.

Basis of Bearing is the centerline of Carter Road, being N 55°39'43" E, as shown in Official Record 199712170169137, Franklin County Recorder's office, Franklin County, Ohio.

**AMITY ROAD (C.R. #12)(60')**  
(Proposed 100 Feet Wide Right-of-Way)



I hereby certify that this plat was prepared from an actual field survey made under my supervision and that monuments were placed as indicated hereon.

*Paul R. Clapsaddle*  
Paul R. Clapsaddle, R.S. #6140

**Paul R. Clapsaddle and Associates**  
REGISTERED ENGINEERS AND SURVEYORS  
19019 WEST DARBY ROAD, MARYSVILLE OHIO 43040  
(513) 747-2599  
(800) 745-2599  
Paul R. Clapsaddle, P.E., P.S.

Filename: Ballantyn.dwg  
Scale: 1" = 200'  
Date: 6/1/98

